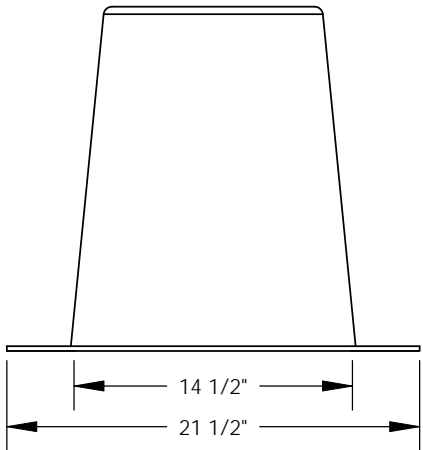
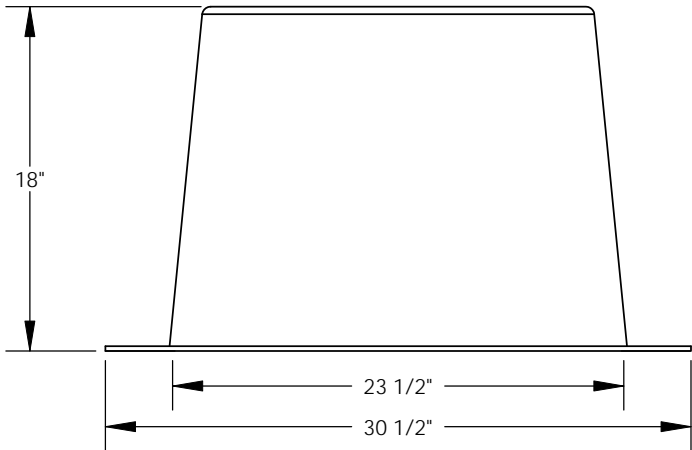
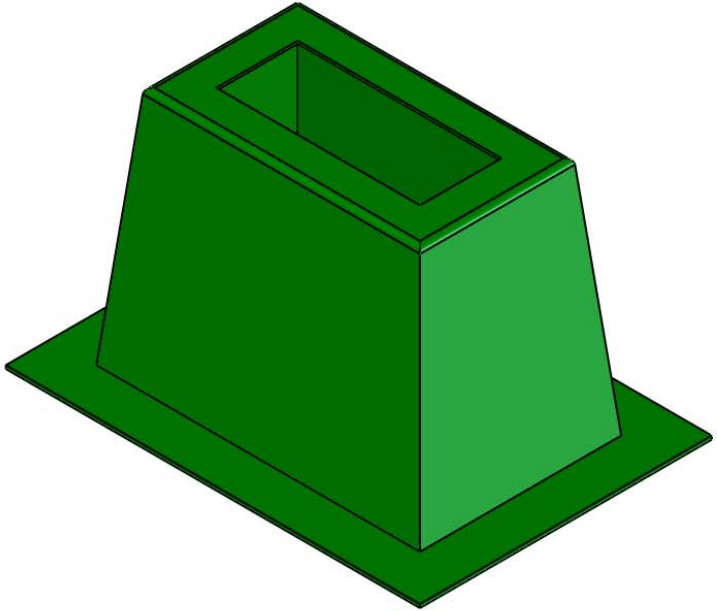
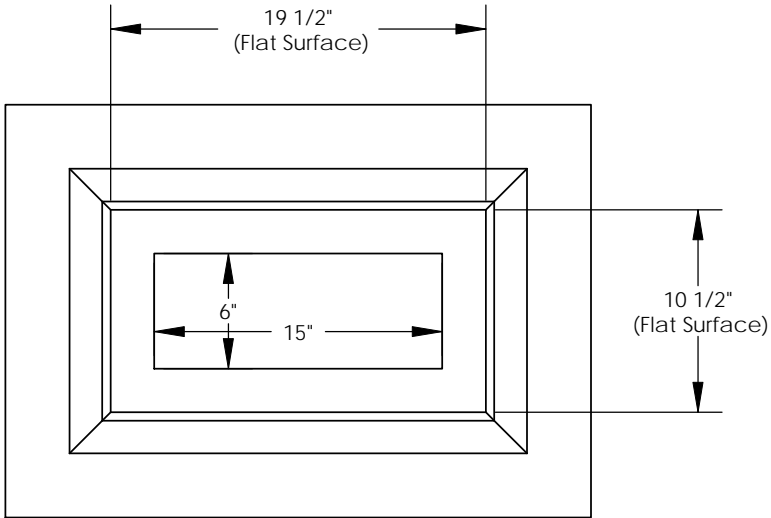


| REVISIONS |             |          |          |
|-----------|-------------|----------|----------|
| REV.      | DESCRIPTION | DATE     | APPROVED |
| REL-01    |             | 5/7/2007 |          |



NOTE:  
Includes (4) 3/8x1.25 ZN Hex Bolts,  
(4) 3/8 ZN Hex Nuts, (8) 3/8 ZN Flat  
Washers, (4) 1/2 ZN Flat Washers

**Nordic Fiberglass, Inc.**

21415 US Hwy 75 NW, Warren, MN 56762  
www.nordicfiberglass.com  
218-745-5095 ph. --- 218-745-4990 fax

GS-19-10-18M-MG-15x6

**PROPRIETARY AND CONFIDENTIAL**  
THE INFORMATION CONTAINED IN THIS DRAWING IS THE SOLE PROPERTY OF  
NORDIC FIBERGLASS, INC. ANY REPRODUCTION IN PART OR AS A WHOLE  
WITHOUT THE WRITTEN PERMISSION OF NORDIC FIBERGLASS, INC. IS PROHIBITED.

|                                  |        |          |
|----------------------------------|--------|----------|
| Customer Name: N/A               |        |          |
| DIMENSIONS ARE IN INCHES         |        |          |
| TOLERANCES: ANGLES $\pm 1^\circ$ |        |          |
| FRACTIONAL $\pm 1/2$             |        |          |
| ONE PLACE DECIMAL $\pm .060$     |        |          |
| TWO PLACE DECIMAL $\pm .030$     |        |          |
| THREE PLACE DECIMAL $\pm .015$   |        |          |
| MATERIAL                         |        |          |
|                                  | NAME   | DATE     |
| DRAWN                            | P.J.W. | 05/07/07 |
| CHECKED                          | ---    | --/--/-- |

|             |          |               |
|-------------|----------|---------------|
| SIZE        | ITEM ID: | REV.          |
| <b>A</b>    | 00313.00 | <b>REL-01</b> |
| SCALE: 1:10 |          | SHEET 1 OF 1  |