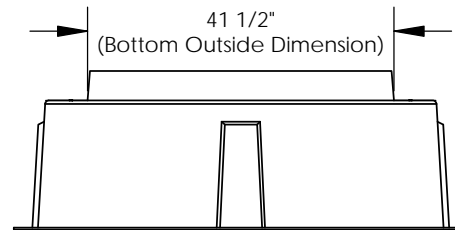
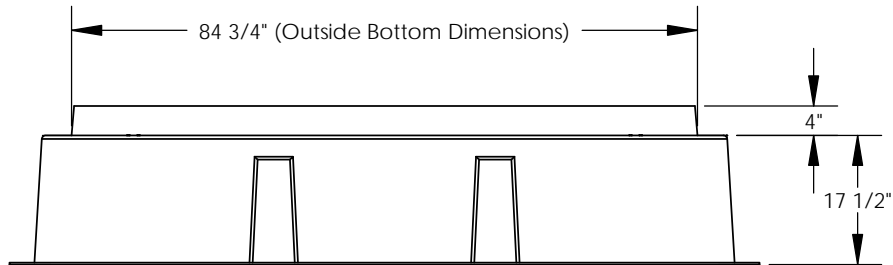
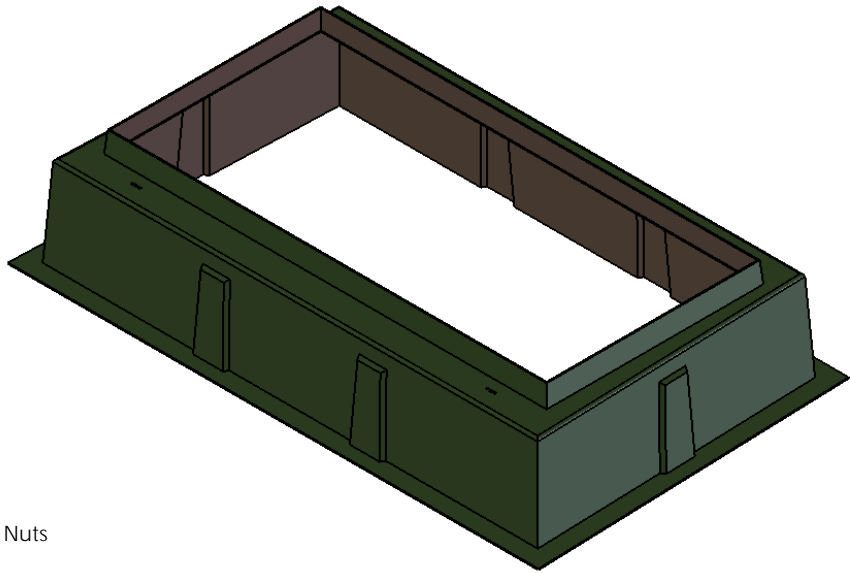
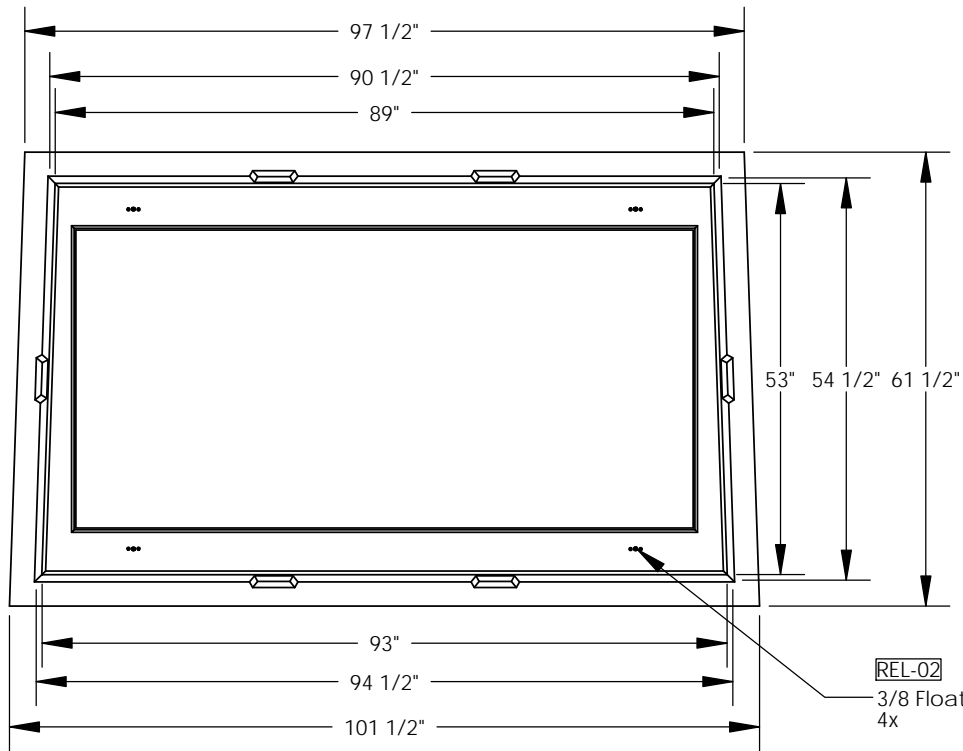


REVISIONS			
REV.	DESCRIPTION	DATE	APPROVED
REL-02	Re-located FN-38's From Upturn Lip, Reduced From Qty. 6 to 4	4/19/2017	R.L.J.



Includes:
 (4) 3/8-16x2.0 SST Bolts
 (4) 3/8 SST Flat Washers

Nordic Fiberglass, Inc.

21415 US Hwy 75 NW, Warren, MN 56762
 www.nordicfiberglass.com
 218-745-5095 ph. --- 218-745-4990 fax

Customer Name: N/A		
DIMENSIONS ARE IN INCHES		
TOLERANCES: ANGLES ± 1°		
FRACTIONAL ± 1/2		
ONE PLACE DECIMAL ±.060		
TWO PLACE DECIMAL ±.030		
THREE PLACE DECIMAL ±.015		
DRAWN	NAME	DATE
CHECKED	---	--/--

ND-2722850-MG-18EXT	
SIZE	ITEM ID:
A	04150.95
SCALE:1:32	REV. REL-02
SHEET 1 OF 1	

PROPRIETARY AND CONFIDENTIAL
 THE INFORMATION CONTAINED IN THIS DRAWING IS THE SOLE PROPERTY OF NORDIC FIBERGLASS, INC. ANY REPRODUCTION IN PART OR AS A WHOLE WITHOUT THE WRITTEN PERMISSION OF NORDIC FIBERGLASS, INC. IS PROHIBITED.