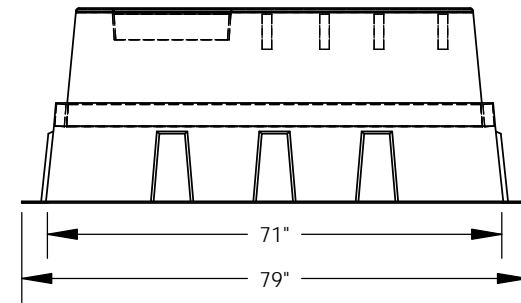
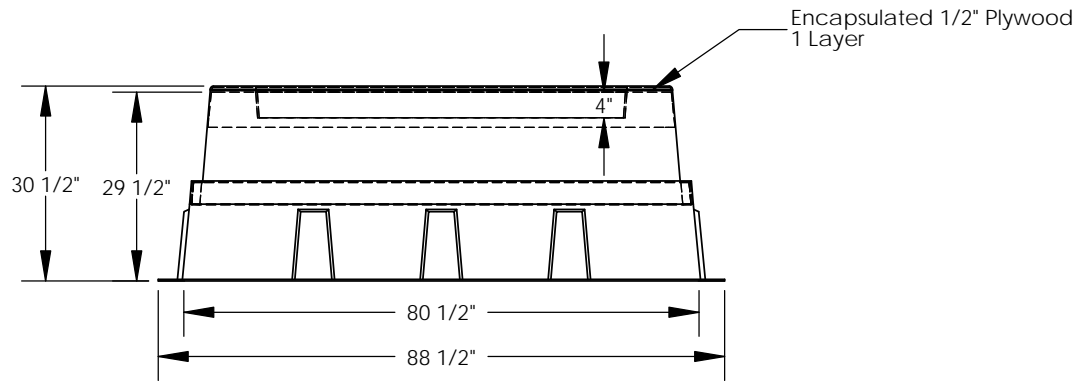
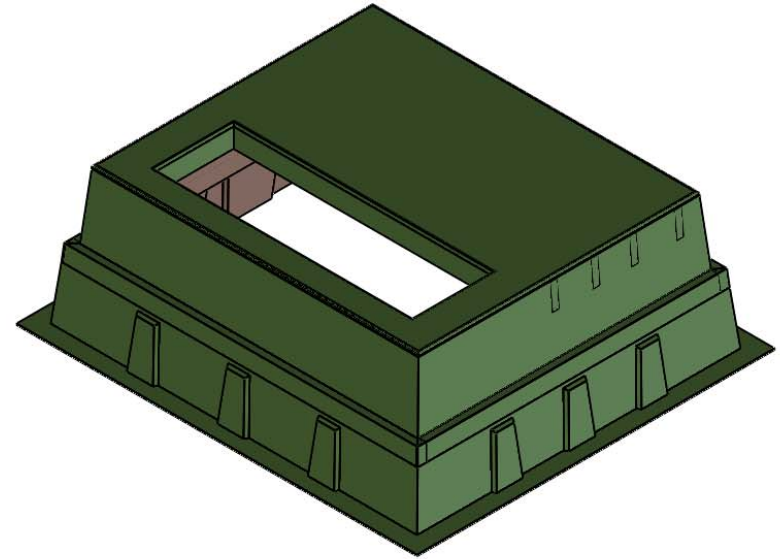
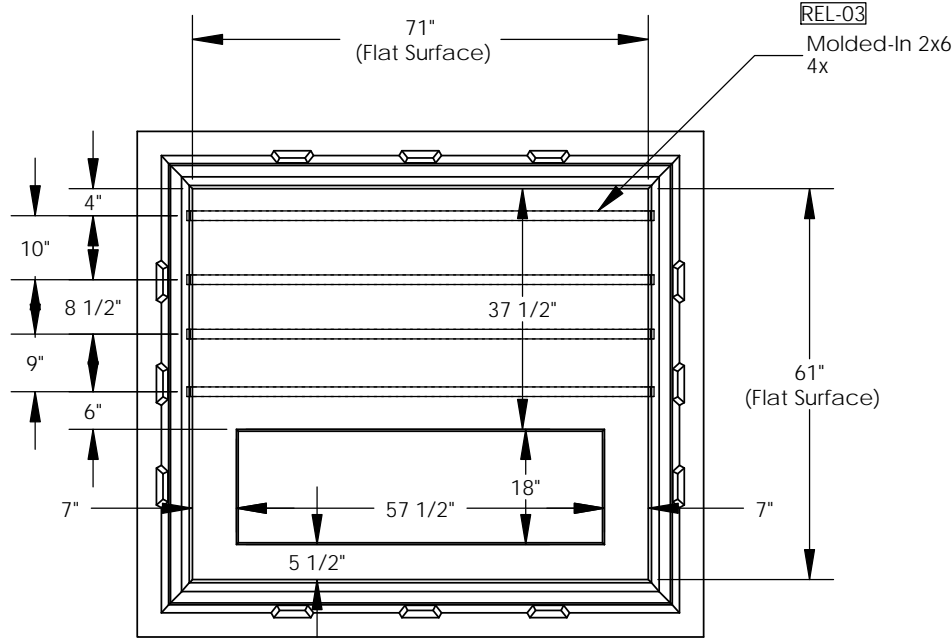


REVISIONS			
REV.	DESCRIPTION	DATE	APPROVED
REL-01		7/25/2007	
REL-02	Changed from 3/4" Plywood and 2x4's	3/6/2008	R.L.J.
REL-03	Changed From (3) 2x6's	11/12/2012	R.L.J.



**PROPRIETARY AND CONFIDENTIAL**  
 THE INFORMATION CONTAINED IN THIS DRAWING IS THE SOLE PROPERTY OF  
 NORDIC FIBERGLASS, INC. ANY REPRODUCTION IN PART OR AS A WHOLE  
 WITHOUT THE WRITTEN PERMISSION OF NORDIC FIBERGLASS, INC. IS PROHIBITED.

Customer Name: N/A		
DIMENSIONS ARE IN INCHES		
TOLERANCES: ANGLES ± 1°		
FRACTIONAL ± 1/2		
ONE PLACE DECIMAL ±.060		
TWO PLACE DECIMAL ±.030		
THREE PLACE DECIMAL ±.015		
MATERIAL		
DRAWN	NAME	DATE
	P.J.W.	07/25/07
CHECKED	---	--/--

**Nordic Fiberglass, Inc.**  
 21415 US Hwy 75 NW, Warren, MN 56762  
 www.nordicfiberglass.com  
 218-745-5095 ph. --- 218-745-4990 fax

GS-72-62-30RT-MG-58x18

SIZE	ITEM ID:	REV.
<b>A</b>	01691.00	<b>REL-03</b>
SCALE:1:30	SHEET 1 OF 1	