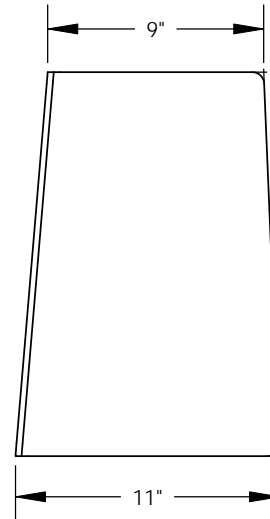
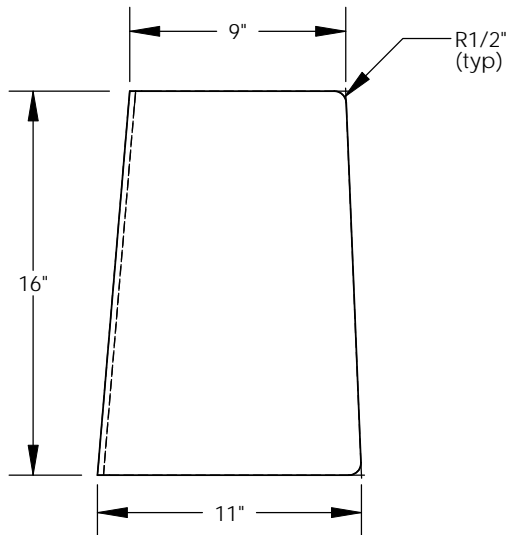
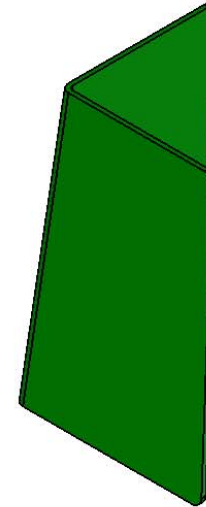
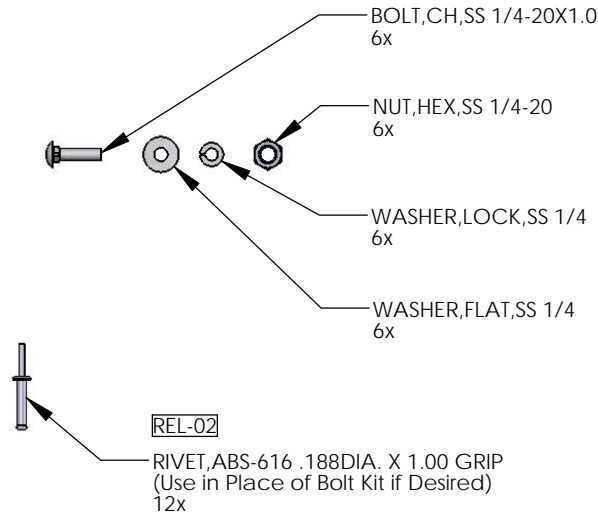
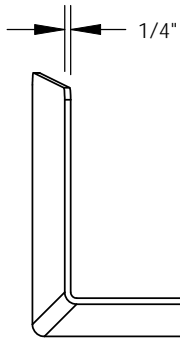


REVISIONS			
REV.	DESCRIPTION	DATE	APPROVED
REL-01		7/8/2008	
REL-02	Added 12 ABS-616 Rivets to Kit	3/18/2009	R.L.J.



Notes:
 Bolt/Rivet pattern to be determined and Drilled by Installer
 Silicone Caulking used upon Installation
 Rivet Gun Supplied by Installer for Rivet Installation

Nordic Fiberglass, Inc.

21415 US Hwy 75 NW, Warren, MN 56762
 www.nordicfiberglass.com
 218-745-5095 ph. --- 218-745-4990 fax

NRK-3-MG, CORNER REPAIR KIT

Customer Name: N/A		
DIMENSIONS ARE IN INCHES		
TOLERANCES: ANGLES ± 1°		
FRACTIONAL ± 1/2		
ONE PLACE DECIMAL ±.060		
TWO PLACE DECIMAL ±.030		
THREE PLACE DECIMAL ±.015		
MATERIAL		
	NAME	DATE
DRAWN	M.F.K.	07/08/08
CHECKED	---	--/--/--

SIZE	ITEM ID:	REV.
A	03125.01	REL-02
SCALE:1:8		SHEET 1 OF 1

PROPRIETARY AND CONFIDENTIAL
 THE INFORMATION CONTAINED IN THIS DRAWING IS THE SOLE PROPERTY OF NORDIC FIBERGLASS, INC. ANY REPRODUCTION IN PART OR AS A WHOLE WITHOUT THE WRITTEN PERMISSION OF NORDIC FIBERGLASS, INC. IS PROHIBITED.