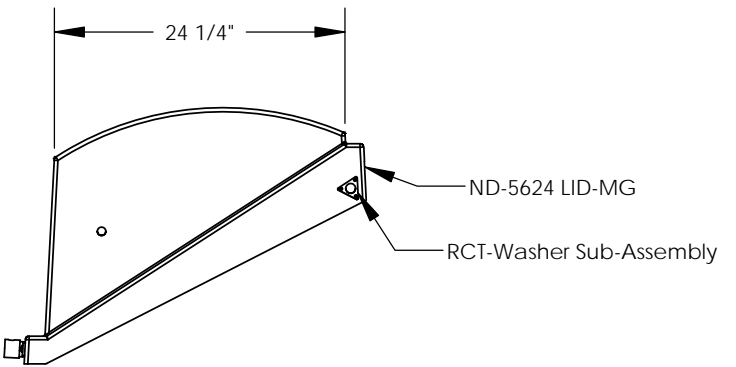
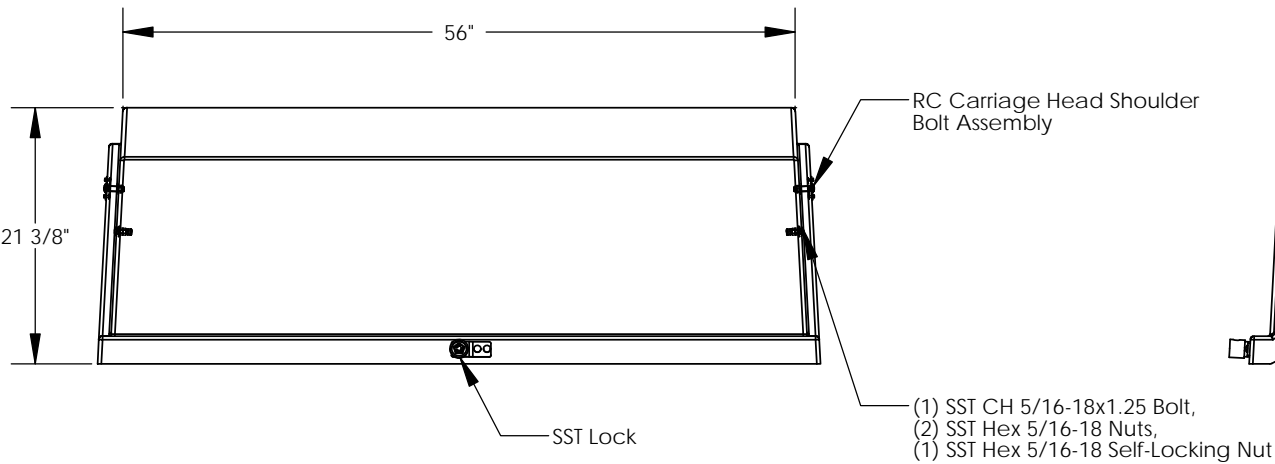


| REVISIONS |             |      |          |
|-----------|-------------|------|----------|
| REV.      | DESCRIPTION | DATE | APPROVED |



**Nordic Fiberglass, Inc.**  
 21415 US Hwy 75 NW, Warren, MN 56762  
 www.nordicfiberglass.com  
 218-745-5095 ph. --- 218-745-4990 fax

**PROPRIETARY AND CONFIDENTIAL**  
 THE INFORMATION CONTAINED IN THIS DRAWING IS THE SOLE PROPERTY OF NORDIC FIBERGLASS, INC. ANY REPRODUCTION IN PART OR AS A WHOLE WITHOUT THE WRITTEN PERMISSION OF NORDIC FIBERGLASS, INC. IS PROHIBITED.

|  |        |          |
|--|--------|----------|
| Customer Name: N/A   |        |          |
| DIMENSIONS ARE IN INCHES<br>TOLERANCES: ANGLES ± 1°<br>FRACTIONAL ± 1/2<br>ONE PLACE DECIMAL ±.060<br>TWO PLACE DECIMAL ±.030<br>THREE PLACE DECIMAL ±.015 |        |          |
| MATERIAL   |        |          |
|  | NAME   | DATE     |
| DRAWN  | R.L.J. | 10/29/10 |
| CHECKED  | ---    | --/--/-- |

|               |          |               |
|---------------|----------|---------------|
| ND-5624-MG-LO |          |               |
| SIZE          | ITEM ID: | REV.          |
| <b>A</b>      | 02797.40 | <b>REL-01</b> |
| SCALE:1:16    | WEIGHT:  | SHEET 1 OF 1  |