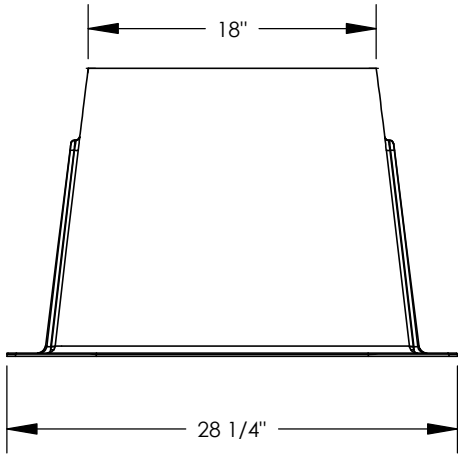
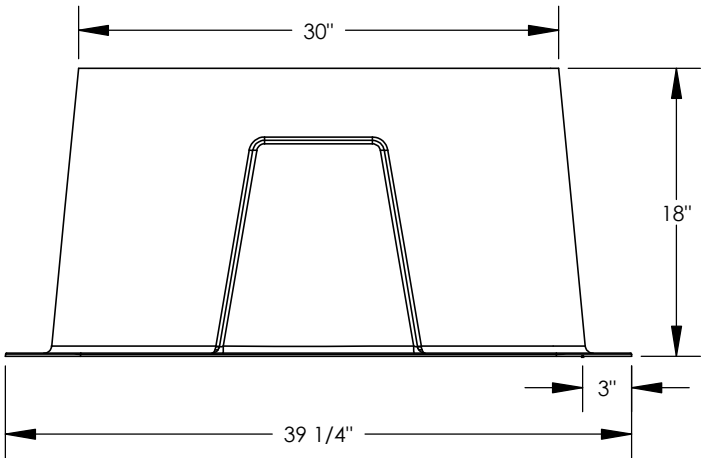
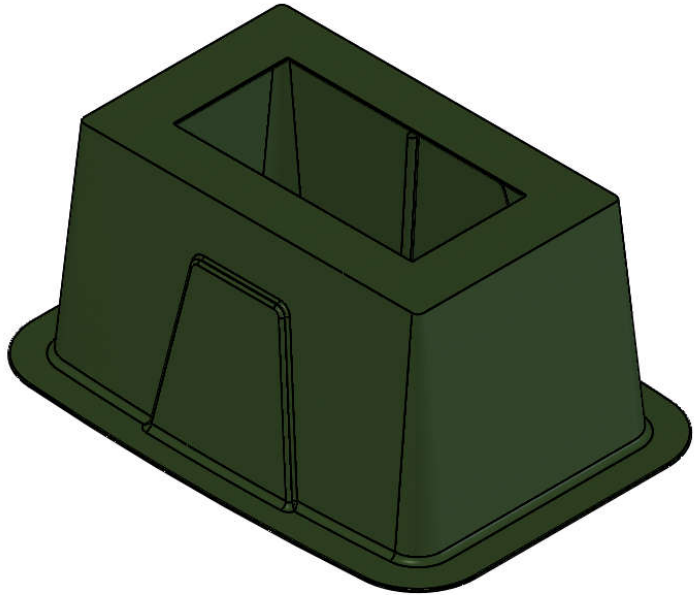
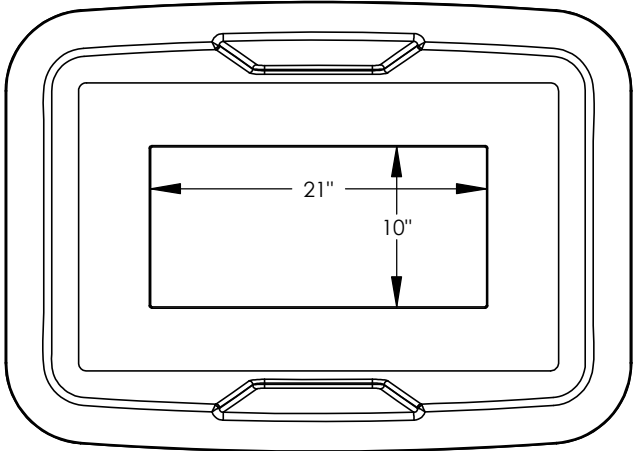


REVISIONS			
REV.	DESCRIPTION	DATE	APPROVED
REL-01		5/25/2006	



- Includes 4 BK-01 Bolt Kits:
- (4) 3/8-16x1.25 ZN Hex Bolt
- (4) 3/8-16 ZN Hex Nut
- (8) 3/8 ZN Flat Washer
- (4) 1/2 ZN Flat Washer

Nordic Fiberglass, Inc.
 21415 US Hwy 75 NW, Warren, MN 56762
 www.nordicfiberglass.com
 218-745-5095 ph. --- 218-745-4990 fax

CGS-30-18-18-MG-21x10		SIZE	ITEM ID:	REV.
		A	00170.00	REL-01
SCALE:1:12				SHEET 1 OF 1

PROPRIETARY AND CONFIDENTIAL
 THE INFORMATION CONTAINED IN THIS DRAWING IS THE SOLE PROPERTY OF NORDIC FIBERGLASS, INC. ANY REPRODUCTION IN PART OR AS A WHOLE WITHOUT THE WRITTEN PERMISSION OF NORDIC FIBERGLASS, INC. IS PROHIBITED.

Customer Name: N/A		
DIMENSIONS ARE IN INCHES		
TOLERANCES: ANGLES ± 1°		
FRACTIONAL ± 1/32		
ONE PLACE DECIMAL ±.060		
TWO PLACE DECIMAL ±.030		
THREE PLACE DECIMAL ±.015		
MATERIAL	NAME	DATE
	P.J.W.	05/25/06
CHECKED	---	--/--