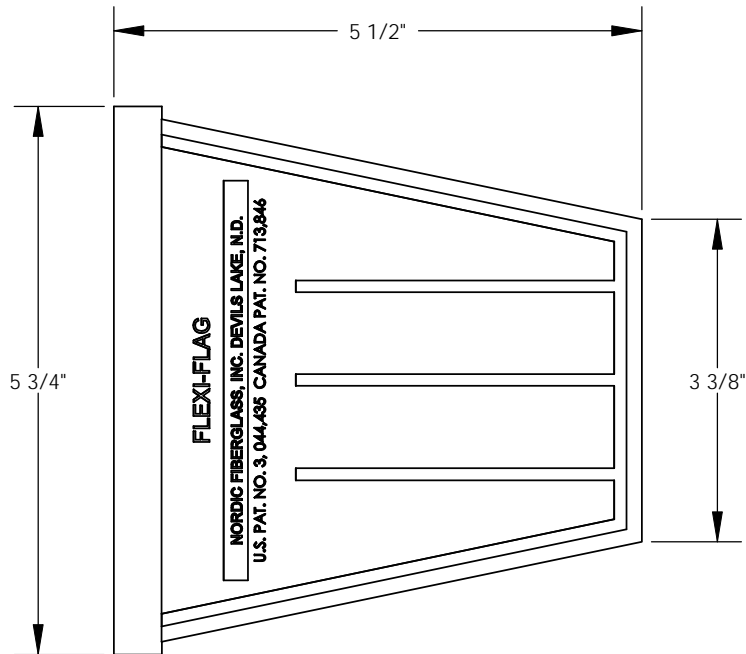


REVISIONS			
REV.	DESCRIPTION	DATE	APPROVED
REL-01		9/21/2007	
REL-02	Updated Flag Design	9/9/2009	R.L.J.



**PROPRIETARY AND CONFIDENTIAL**  
 THE INFORMATION CONTAINED IN THIS DRAWING IS THE SOLE PROPERTY OF  
 NORDIC FIBERGLASS, INC. ANY REPRODUCTION IN PART OR AS A WHOLE  
 WITHOUT THE WRITTEN PERMISSION OF NORDIC FIBERGLASS, INC. IS PROHIBITED.

Customer Name: N/A		
DIMENSIONS ARE IN INCHES TOLERANCES: ANGLES $\pm 1^\circ$ FRACTIONAL $\pm 1/2$ ONE PLACE DECIMAL $\pm .060$ TWO PLACE DECIMAL $\pm .030$ THREE PLACE DECIMAL $\pm .015$		
MATERIAL	PE High Density Orange	
DRAWN	NAME	DATE
CHECKED	P.J.W.	09/21/07
	---	--/--/--

**Nordic Fiberglass, Inc.**  
 21415 US Hwy 75 NW, Warren, MN 56762  
 www.nordicfiberglass.com  
 218-745-5095 ph. --- 218-745-4990 fax

SIZE	ITEM ID:	REV.
<b>A</b>	HAMI0024	<b>REL-02</b>
SCALE:1:2	SHEET 1 OF 1	