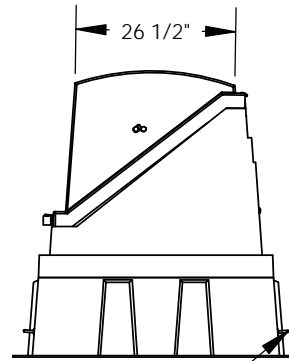
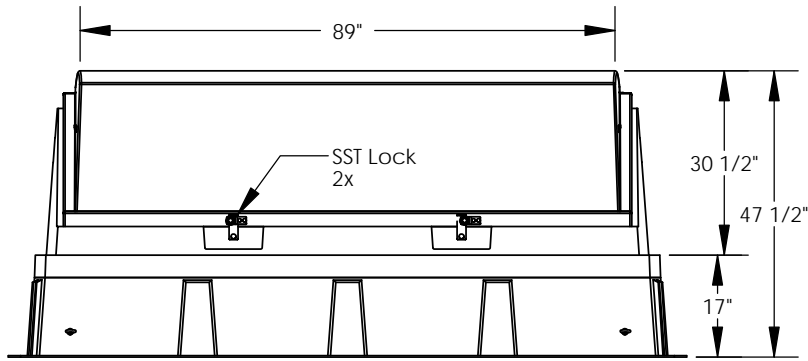
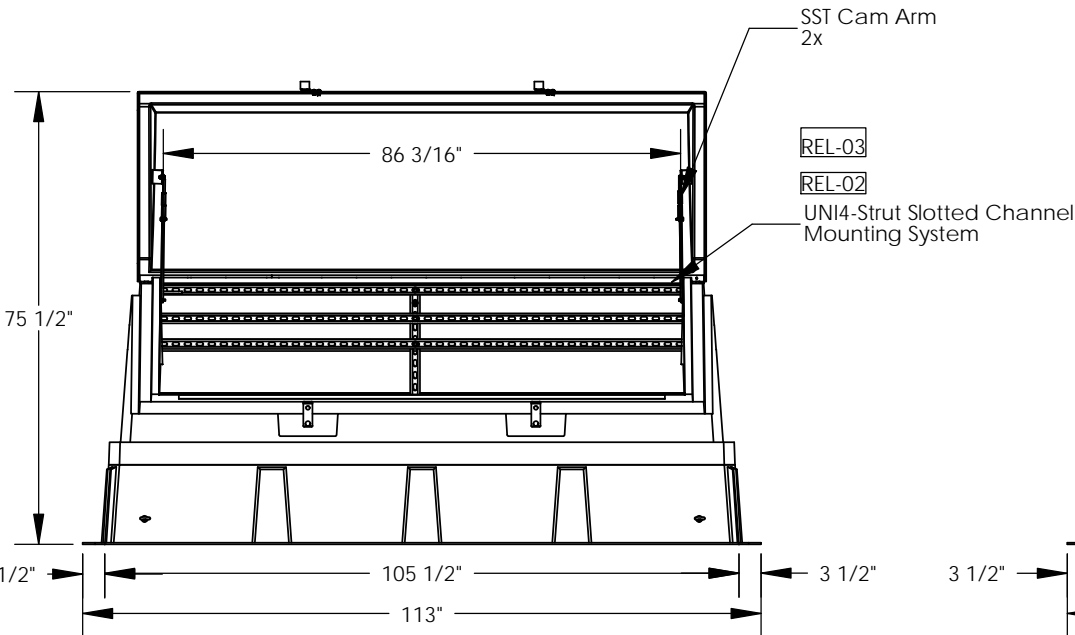
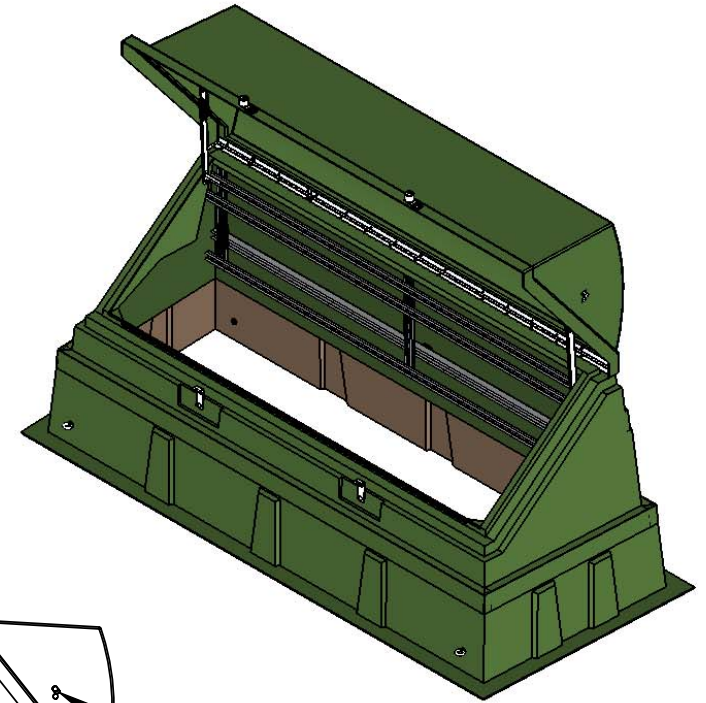


REVISIONS			
REV.	DESCRIPTION	DATE	APPROVED
REL-01		11/16/2007	
REL-02	Updated UNI4 Assembly to 13/16" Unistruts	1/13/2014	R.L.J.
REL-03	Updated to Slotted Unistruts From Solid	7/23/2015	R.L.J.

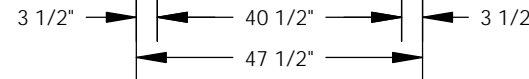
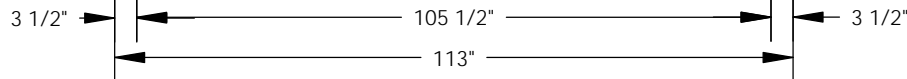
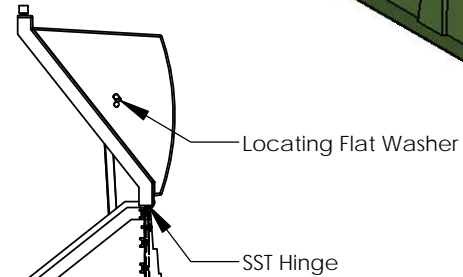


ZN Coated Eyebolt
4x



REL-03

REL-02



Nordic Fiberglass, Inc.

21415 US Hwy 75 NW, Warren, MN 56762
www.nordicfiberglass.com
218-745-5095 ph. --- 218-745-4990 fax

ND-325-MG-UNI4-X-X

PROPRIETARY AND CONFIDENTIAL
THE INFORMATION CONTAINED IN THIS DRAWING IS THE SOLE PROPERTY OF NORDIC FIBERGLASS, INC. ANY REPRODUCTION IN PART OR AS A WHOLE WITHOUT THE WRITTEN PERMISSION OF NORDIC FIBERGLASS, INC. IS PROHIBITED.

Customer Name: N/A

DIMENSIONS ARE IN INCHES
TOLERANCES: ANGLES $\pm 1^\circ$
FRACTIONAL $\pm 1/32$
ONE PLACE DECIMAL $\pm .060$
TWO PLACE DECIMAL $\pm .030$
THREE PLACE DECIMAL $\pm .015$

MATERIAL

	NAME	DATE
DRAWN	R.L.J.	11/16/07
CHECKED	---	--/--

SIZE	ITEM ID:	REV.
A	02790.39	REL-03

SCALE:1:32 SHEET 1 OF 1