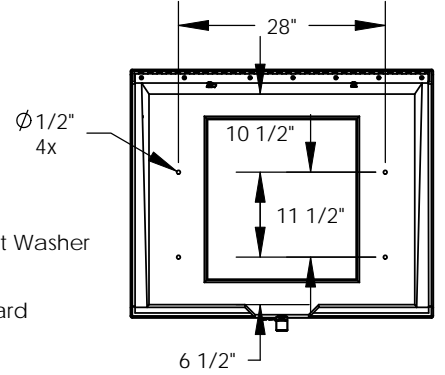
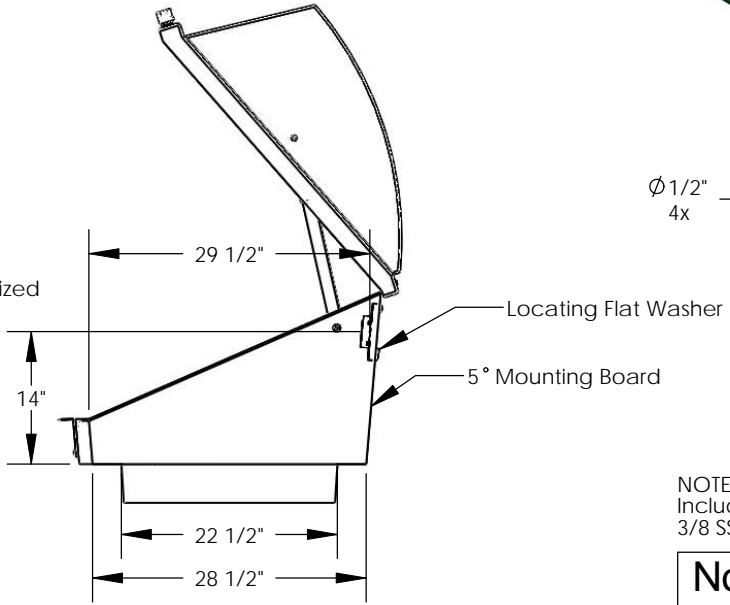
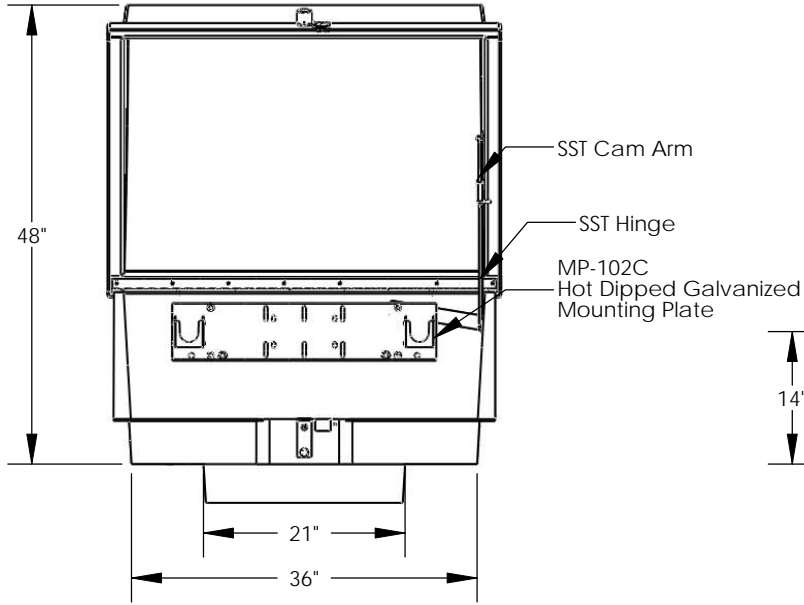
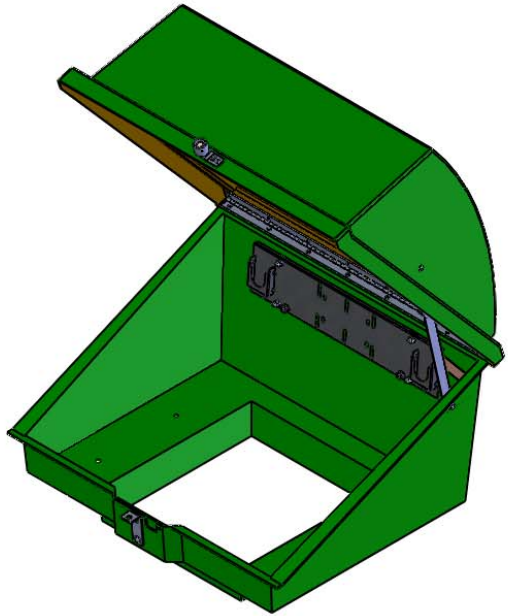
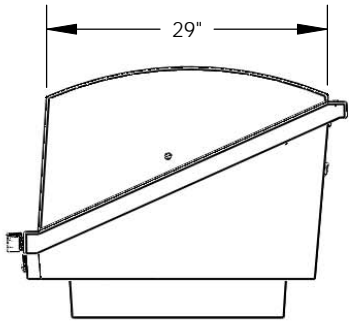
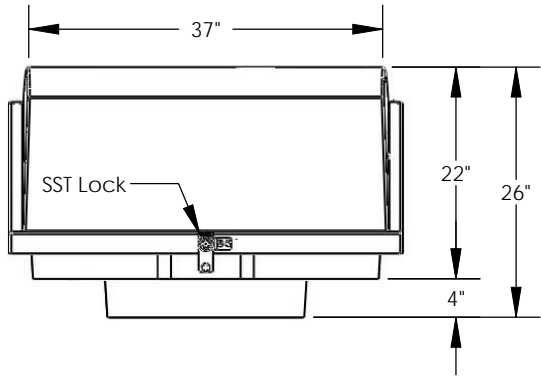


REVISIONS			
REV.	DESCRIPTION	DATE	APPROVED
REL-01		2/22/2007	



NOTE:  
Includes (4) 3/8-16x1.5 SST Hex Bolts, (4)  
3/8 SST Flat Washers

**Nordic Fiberglass, Inc.**  
21415 US Hwy 75 NW, Warren, MN 56762  
www.nordicfiberglass.com  
218-745-5095 ph. --- 218-745-4990 fax

ND-37H-MG-102C-X-X		REV.
SIZE	ITEM ID:	REL-01
<b>A</b>	02910.00	
SCALE:1:20		SHEET 1 OF 1

**PROPRIETARY AND CONFIDENTIAL**  
THE INFORMATION CONTAINED IN THIS DRAWING IS THE SOLE PROPERTY OF NORDIC FIBERGLASS, INC. ANY REPRODUCTION IN PART OR AS A WHOLE WITHOUT THE WRITTEN PERMISSION OF NORDIC FIBERGLASS, INC. IS PROHIBITED.

Customer Name: N/A		
DIMENSIONS ARE IN INCHES TOLERANCES: ANGLES ± 1° FRACTIONAL ± 1/2 ONE PLACE DECIMAL ±.060 TWO PLACE DECIMAL ±.030 THREE PLACE DECIMAL ±.015		
MATERIAL	NAME	DATE
	P.J.W.	02/22/07
CHECKED	---	--/--/--