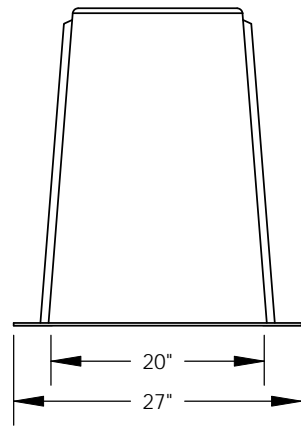
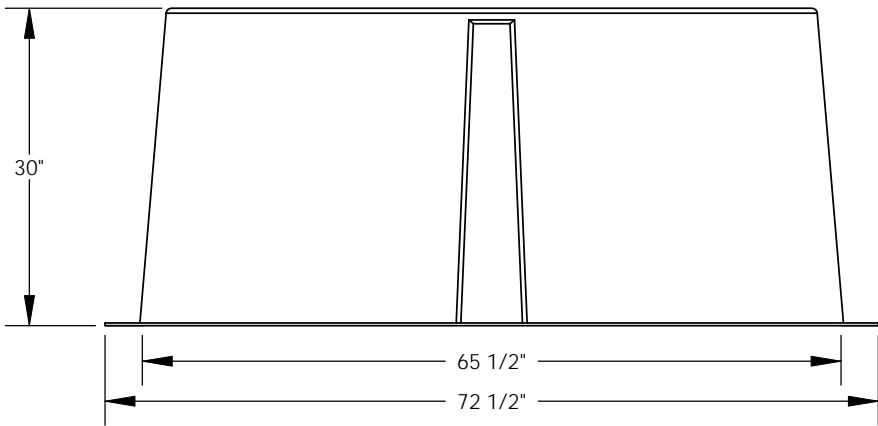
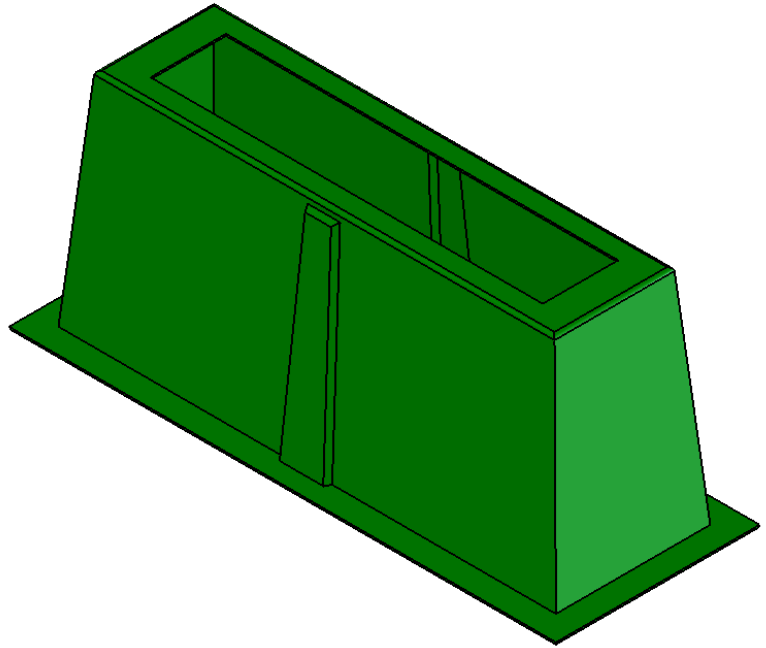
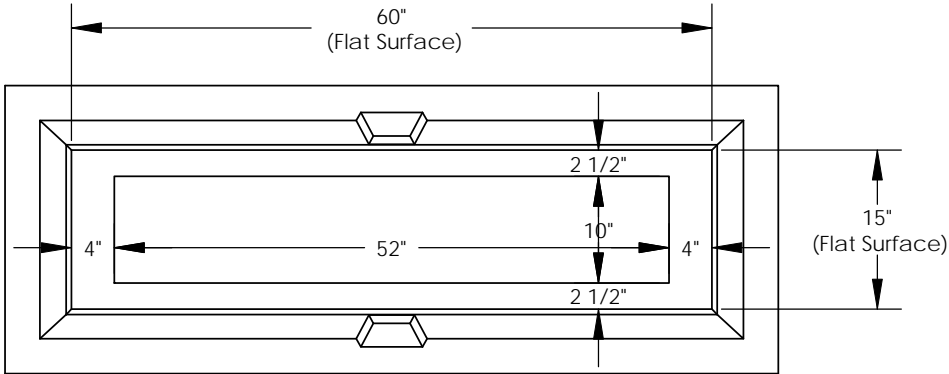


| REVISIONS |             |           |          |
|-----------|-------------|-----------|----------|
| REV.      | DESCRIPTION | DATE      | APPROVED |
| REL-01    |             | 4/26/2007 |          |



NOTE:  
Includes (6) 3/8x1.25 ZN Hex Bolts,  
(6) 3/8 ZN Hex Nuts, (12) 3/8 ZN Flat  
Washers, (6) 1/2 ZN Flat Washers

**Nordic Fiberglass, Inc.**

21415 US Hwy 75 NW, Warren, MN 56762  
www.nordicfiberglass.com  
218-745-5095 ph. --- 218-745-4990 fax

GS-61-15-30-MG-52x10

**PROPRIETARY AND CONFIDENTIAL**  
THE INFORMATION CONTAINED IN THIS DRAWING IS THE SOLE PROPERTY OF  
NORDIC FIBERGLASS, INC. ANY REPRODUCTION IN PART OR AS A WHOLE  
WITHOUT THE WRITTEN PERMISSION OF NORDIC FIBERGLASS, INC. IS PROHIBITED.

|                                  |        |          |
|----------------------------------|--------|----------|
| Customer Name: N/A               |        |          |
| DIMENSIONS ARE IN INCHES         |        |          |
| TOLERANCES: ANGLES $\pm 1^\circ$ |        |          |
| FRACTIONAL $\pm 1/2$             |        |          |
| ONE PLACE DECIMAL $\pm .060$     |        |          |
| TWO PLACE DECIMAL $\pm .030$     |        |          |
| THREE PLACE DECIMAL $\pm .015$   |        |          |
| MATERIAL                         |        |          |
|                                  | NAME   | DATE     |
| DRAWN                            | P.J.W. | 04/26/07 |
| CHECKED                          | ---    | --/--/-- |

|            |              |               |
|------------|--------------|---------------|
| SIZE       | ITEM ID:     | REV.          |
| <b>A</b>   | 01280.00     | <b>REL-01</b> |
| SCALE:1:18 | SHEET 1 OF 1 |               |