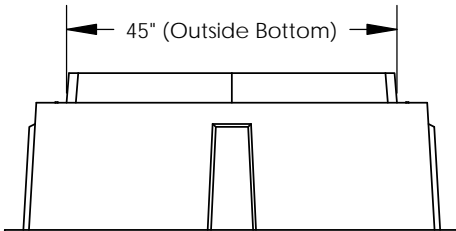
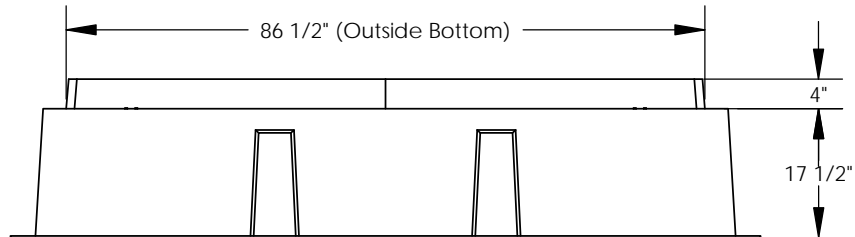
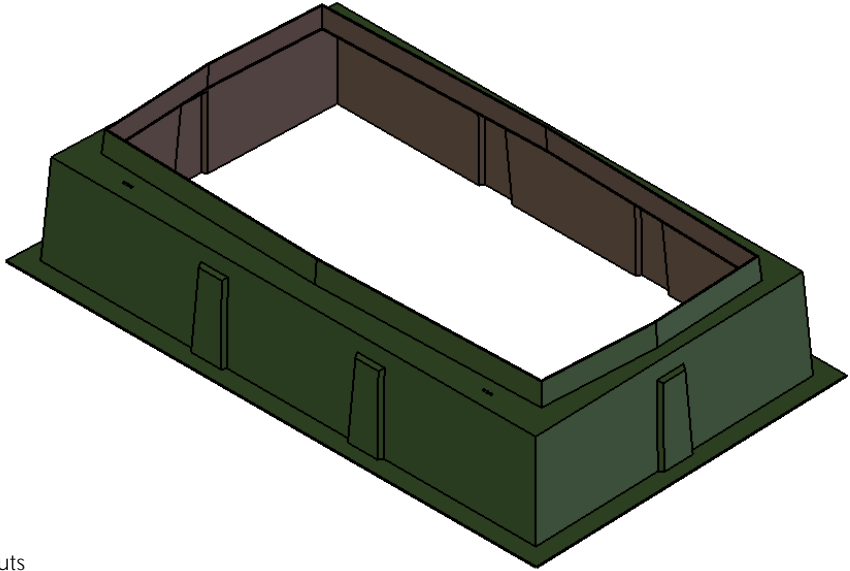
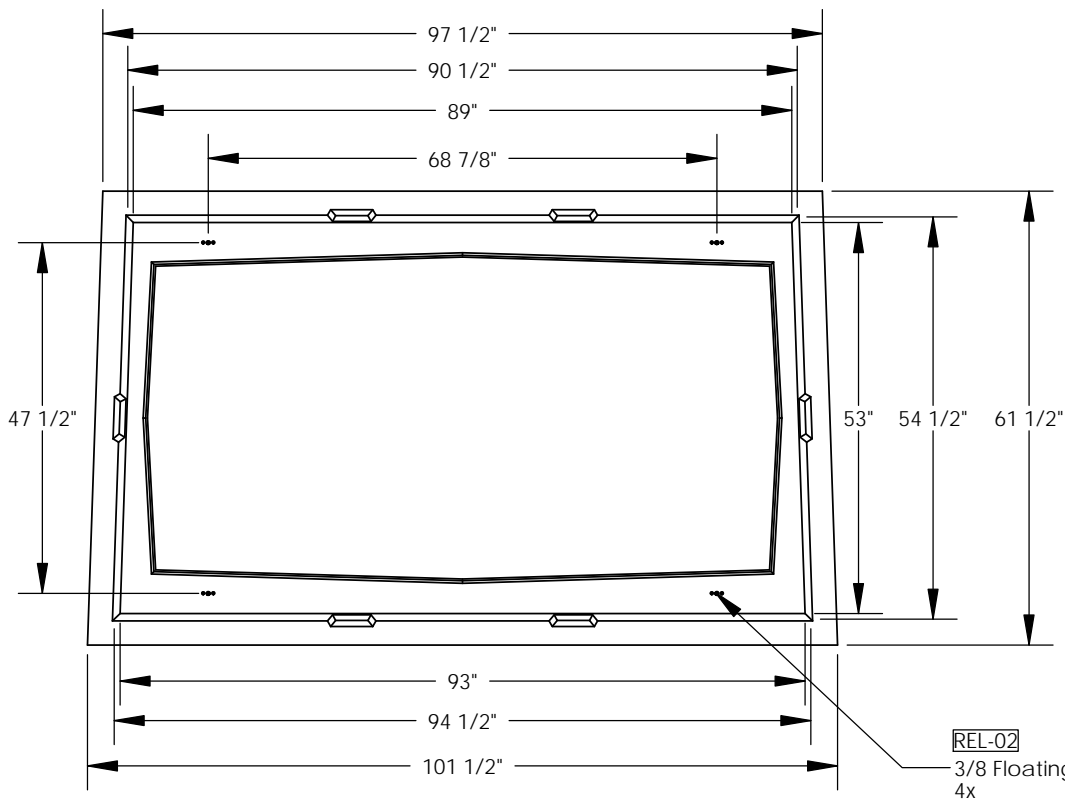


REVISIONS			
REV.	DESCRIPTION	DATE	APPROVED
REL-01		04/02/2007	
REL-02	Re-located FN-38's From Upturn Lip, Reduced From Qty. 6 to 4	12/12/2016	R.L.J.



REL-02
Includes:
(4) 3/8-16x2.0 SST Bolts
(4) 3/8 SST Flat Washers

Nordic Fiberglass, Inc.

21415 US Hwy 75 NW, Warren, MN 56762
www.nordicfiberglass.com
218-745-5095 ph. --- 218-745-4990 fax

ND-683054-MG-18EXT

PROPRIETARY AND CONFIDENTIAL
THE INFORMATION CONTAINED IN THIS DRAWING IS THE SOLE PROPERTY OF NORDIC FIBERGLASS, INC. ANY REPRODUCTION IN PART OR AS A WHOLE WITHOUT THE WRITTEN PERMISSION OF NORDIC FIBERGLASS, INC. IS PROHIBITED.

Customer Name: N/A		
DIMENSIONS ARE IN INCHES		
TOLERANCES: ANGLES ± 1°		
FRACTIONAL ± 1/2		
ONE PLACE DECIMAL ±.060		
TWO PLACE DECIMAL ±.030		
THREE PLACE DECIMAL ±.015		
DRAWN	NAME	DATE
CHECKED	---	--/--

SIZE	ITEM ID:	REV.
A	04062.94	REL-02
SCALE:1:32	SHEET 1 OF 1	