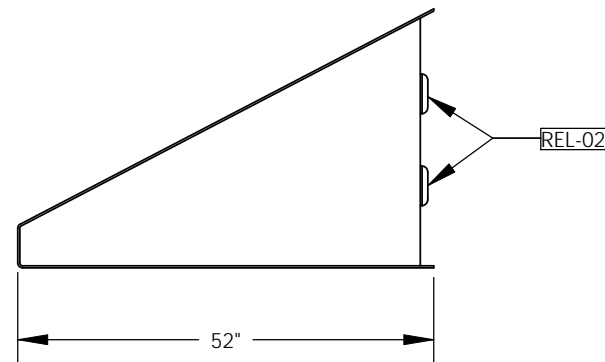
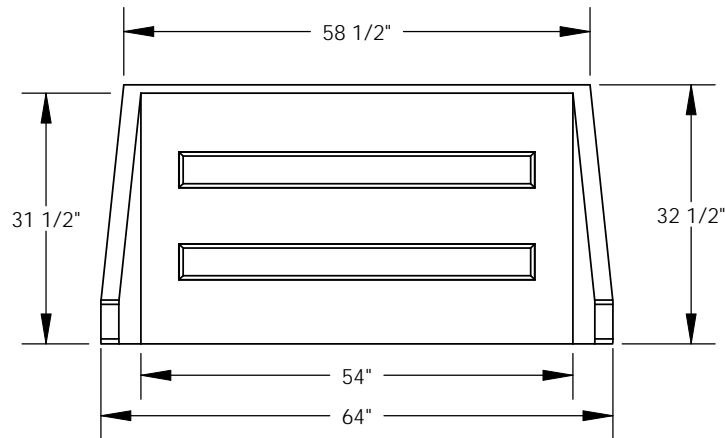
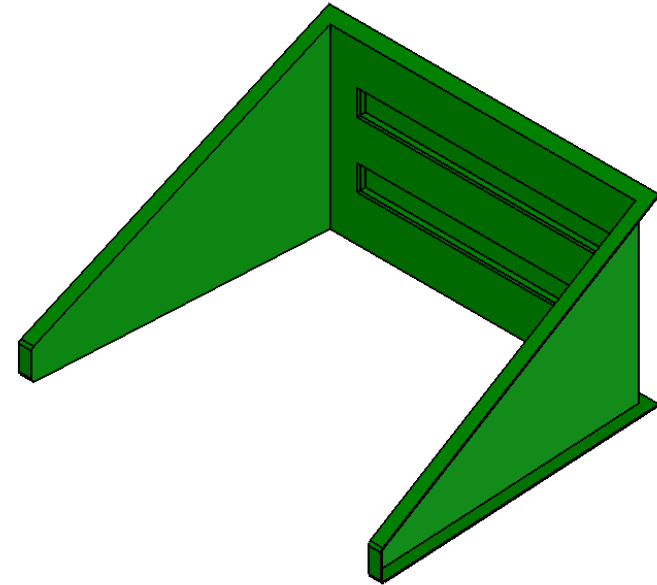
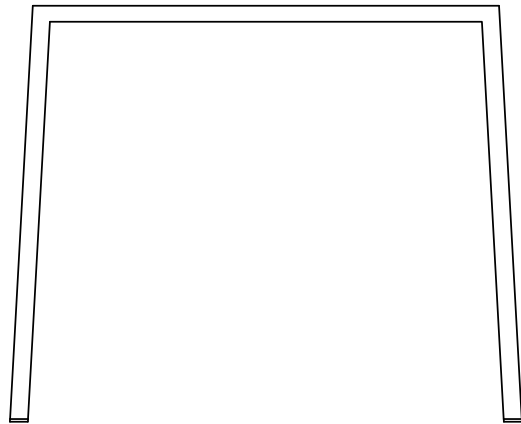


REVISIONS			
REV.	DESCRIPTION	DATE	APPROVED
REL-01		6/22/2006	
REL-02	Replaced Encapsulate Plywood with Ribs	3/27/2008	R.L.J.



### Nordic Fiberglass, Inc.

21415 US Hwy 75 NW, Warren, MN 56762  
 www.nordicfiberglass.com  
 218-745-5095 ph. --- 218-745-4990 fax

NHH-32-54-52-MG

**PROPRIETARY AND CONFIDENTIAL**  
 THE INFORMATION CONTAINED IN THIS DRAWING IS THE SOLE PROPERTY OF  
 NORDIC FIBERGLASS, INC. ANY REPRODUCTION IN PART OR AS A WHOLE  
 WITHOUT THE WRITTEN PERMISSION OF NORDIC FIBERGLASS, INC. IS PROHIBITED.

Customer Name: N/A		
DIMENSIONS ARE IN INCHES		
TOLERANCES: ANGLES $\pm 1^\circ$		
FRACTIONAL $\pm 1/32$		
ONE PLACE DECIMAL $\pm .060$		
TWO PLACE DECIMAL $\pm .030$		
THREE PLACE DECIMAL $\pm .015$		
MATERIAL		
	NAME	DATE
DRAWN	P.J.W.	06/22/06
CHECKED	---	--/--/--

SIZE	ITEM ID:	REV.
<b>A</b>	03120.00	<b>REL-02</b>
SCALE: 1:24		SHEET 1 OF 1