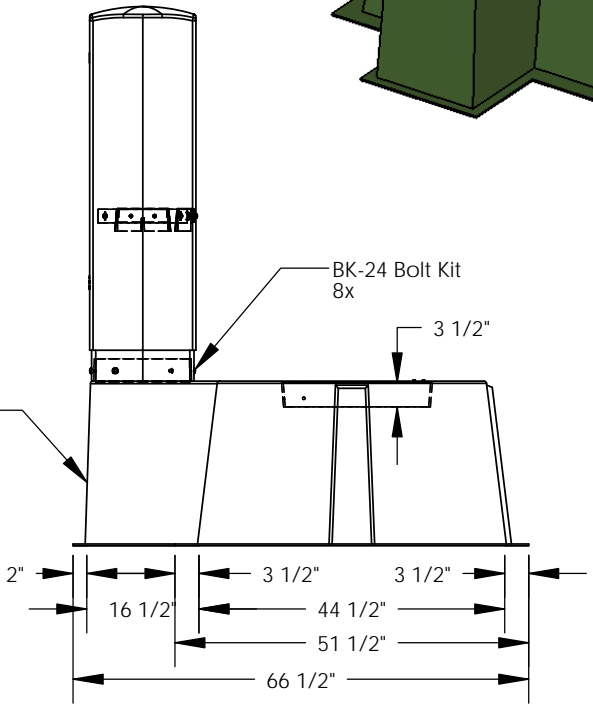
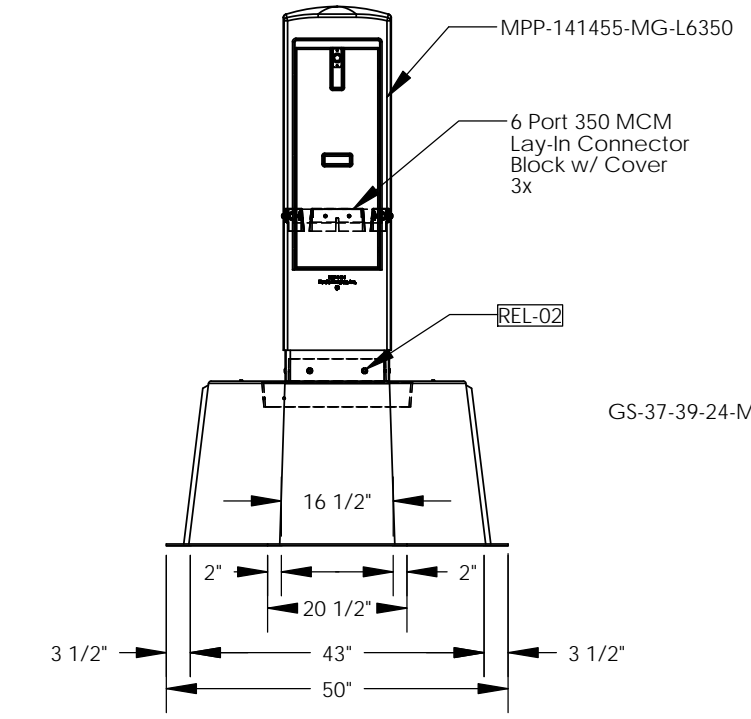
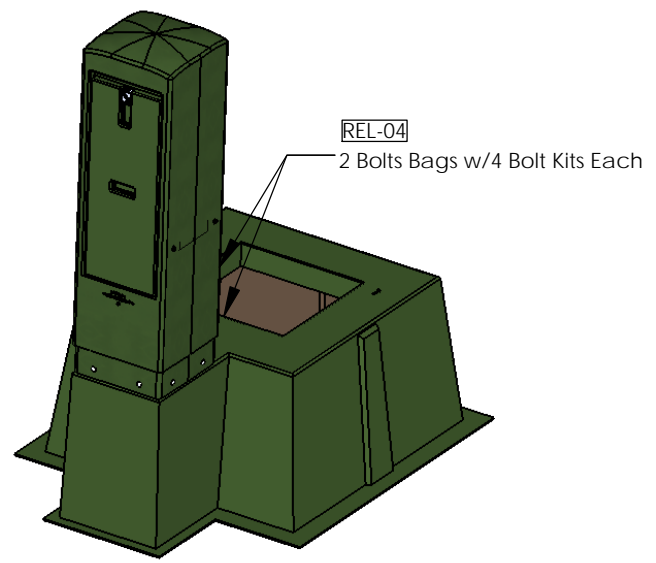
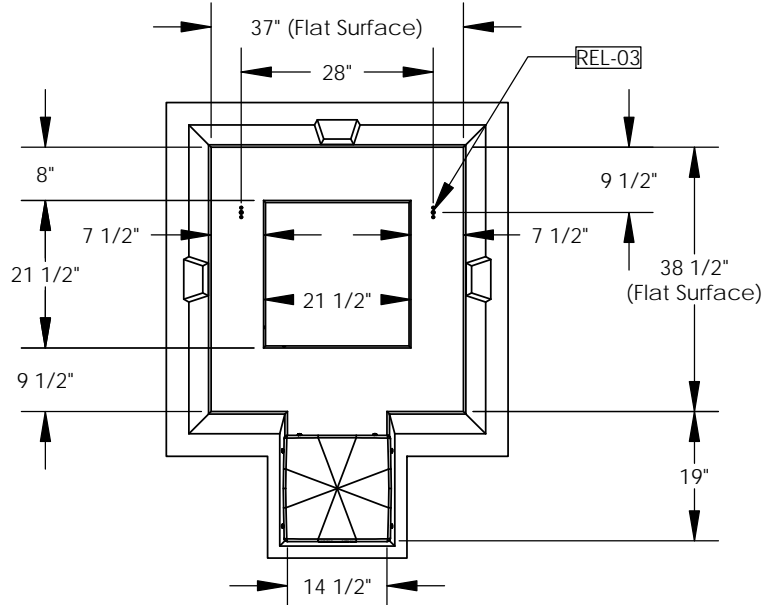


REVISIONS			
REV.	DESCRIPTION	DATE	APPROVED
REL-02	Updated From 4 - BK-24 Bolt Kits	2/11/2013	R.L.J.
REL-03	Added 2 - FN-38's	4/7/2014	R.L.J.
REL-04	Updated Bolt Kit Locations From Upturn to 2 Bolt Bags w/4 Bolt Kits Each	12/3/2019	R.L.J.



- BK-24 Bolt Kit Includes:
- (1) 3/8-16x1.5 SST CH Bolt
 - (1) 3/8 SST Flat Washer
 - (1) 3/8 SST Lock Washer
 - (1) 3/8 SST Hex Nut

NOTE:
MPP-141455-MG-L6350 Shipped Separate

PROPRIETARY AND CONFIDENTIAL
THE INFORMATION CONTAINED IN THIS DRAWING IS THE SOLE PROPERTY OF NORDIC FIBERGLASS, INC. ANY REPRODUCTION IN PART OR AS A WHOLE WITHOUT THE WRITTEN PERMISSION OF NORDIC FIBERGLASS, INC. IS PROHIBITED.

Customer Name: N/A		
DIMENSIONS ARE IN INCHES		
TOLERANCES: ANGLES ± 1°		
FRACTIONAL ± 1/2		
ONE PLACE DECIMAL ±.060		
TWO PLACE DECIMAL ±.030		
THREE PLACE DECIMAL ±.015		
MATERIAL		
DRAWN	NAME	DATE
CHECKED	R.L.J.	03/17/11

Nordic Fiberglass, Inc.
21415 US Hwy 75 NW, Warren, MN 56762
www.nordicfiberglass.com
218-745-5095 ph. --- 218-745-4990 fax

GS-37-39-24-MP-L6350-MG-22x22

SIZE	ITEM ID:	REV.
A	00815.02	REL-04
SCALE:1:32		SHEET 1 OF 1