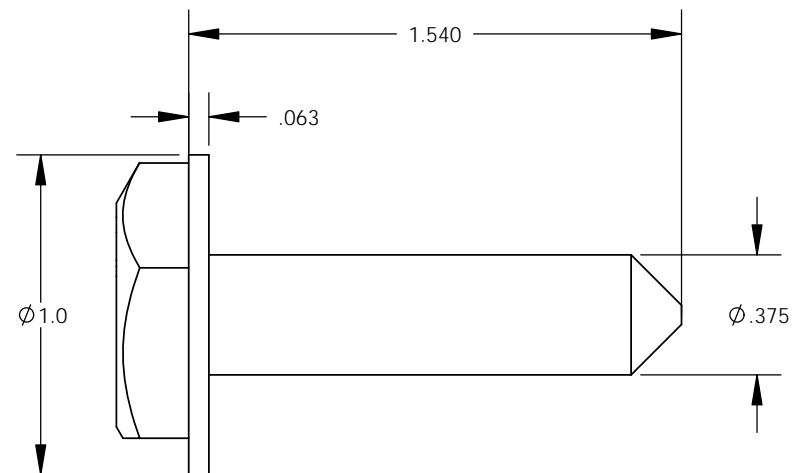
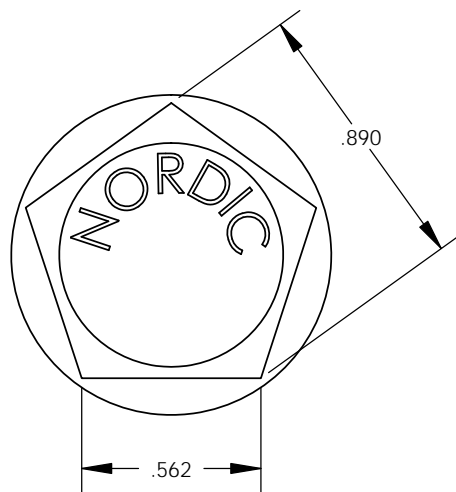
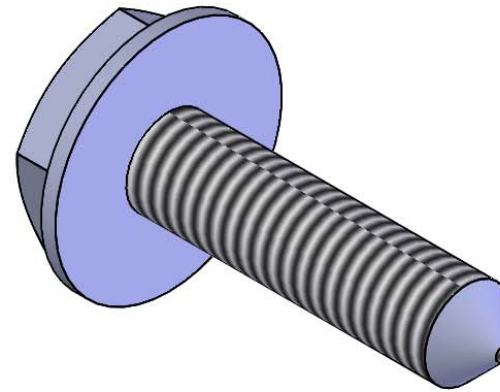


REVISIONS			
REV.	DESCRIPTION	DATE	APPROVED
REL-01		9/25/2007	



PROPRIETARY AND CONFIDENTIAL
 THE INFORMATION CONTAINED IN THIS DRAWING IS THE SOLE PROPERTY OF
 NORDIC FIBERGLASS, INC. ANY REPRODUCTION IN PART OR AS A WHOLE
 WITHOUT THE WRITTEN PERMISSION OF NORDIC FIBERGLASS, INC. IS PROHIBITED.

Customer Name: N/A		
DIMENSIONS ARE IN INCHES		MATERIAL
TOLERANCES: ANGLES $\pm 1^\circ$		304 Stainless
FRACTIONAL $\pm 1/2$		NAME
ONE PLACE DECIMAL $\pm .060$		DATE
TWO PLACE DECIMAL $\pm .030$		DRAWN
THREE PLACE DECIMAL $\pm .015$		CHECKED
		DATE
		NAME
		DATE

Nordic Fiberglass, Inc.		
21415 US Hwy 75 NW, Warren, MN 56762		
www.nordicfiberglass.com		
218-745-5095 ph. --- 218-745-4990 fax		
PH-4, 3/8-16X1.5 (WASHER & POINT)		
SIZE	ITEM ID:	REV.
A	HAPE0005	REL-01
SCALE:1:1		SHEET 1 OF 1