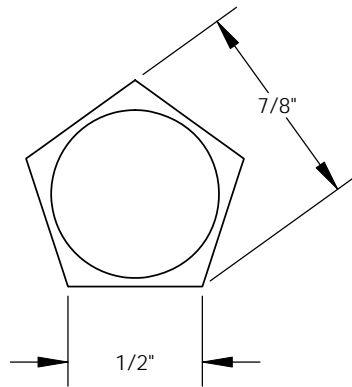
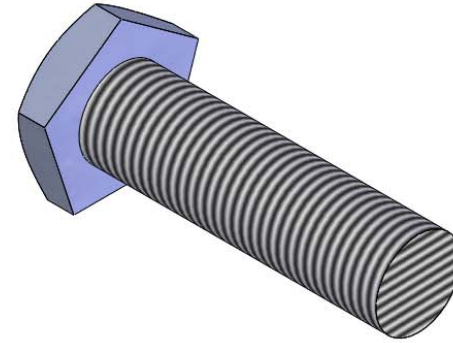


REVISIONS			
REV.	DESCRIPTION	DATE	APPROVED
REL-01		9/25/2007	
REL-02	Corrected Thread Length Callout from 2"	4/20/2010	R.L.J.



PROPRIETARY AND CONFIDENTIAL
 THE INFORMATION CONTAINED IN THIS DRAWING IS THE SOLE PROPERTY OF
 NORDIC FIBERGLASS, INC. ANY REPRODUCTION IN PART OR AS A WHOLE
 WITHOUT THE WRITTEN PERMISSION OF NORDIC FIBERGLASS, INC. IS PROHIBITED.

Customer Name: N/A		
DIMENSIONS ARE IN INCHES		MATERIAL 304 Stainless
TOLERANCES: ANGLES $\pm 1^\circ$		
FRACTIONAL $\pm 1/2$		
ONE PLACE DECIMAL $\pm .060$		
TWO PLACE DECIMAL $\pm .030$		DRAWN P.J.W. 09/25/07
THREE PLACE DECIMAL $\pm .015$		
CHECKED	---	

Nordic Fiberglass, Inc.		
21415 US Hwy 75 NW, Warren, MN 56762 www.nordicfiberglass.com 218-745-5095 ph. --- 218-745-4990 fax		
PH-8, 1/2-13X1.75 (NO POINT/WASHER)		
SIZE A	ITEM ID: HAPE0010	REV. REL-02
SCALE:1:1		SHEET 1 OF 1