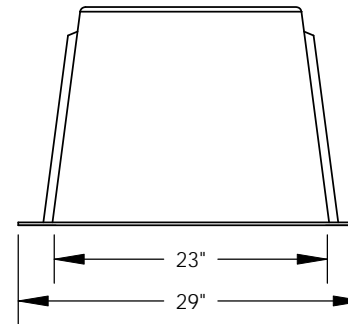
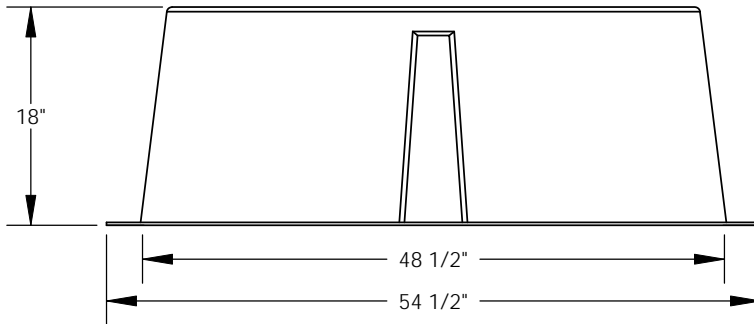
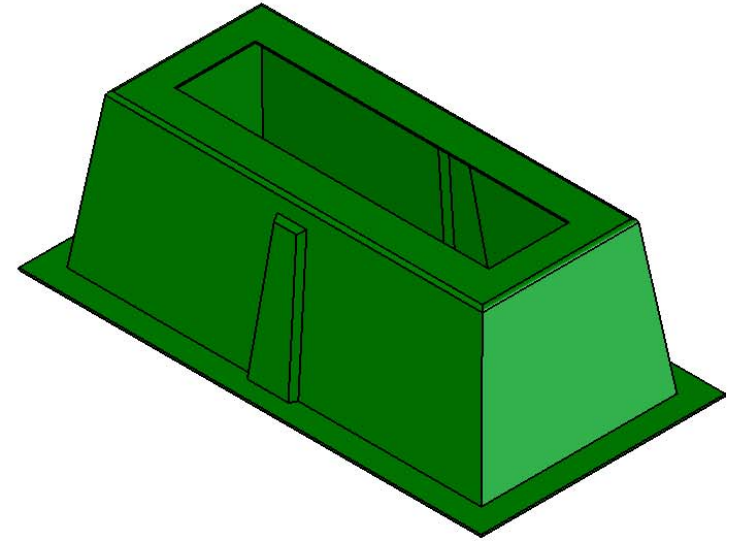
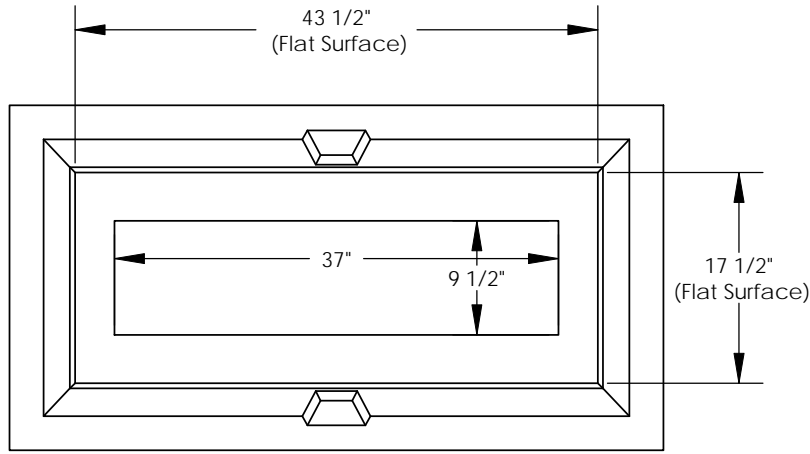


| REVISIONS | | | |
|-----------|-------------|-----------|----------|
| REV. | DESCRIPTION | DATE | APPROVED |
| REL-01 | | 4/24/2007 | |



NOTE:
Includes (4) 3/8x1.25 ZN Hex Bolts
(4) 3/8 ZN Hex Nuts, (8) 3/8 ZN Flat
Washers, (4) 1/2 ZN Flat Washers

Nordic Fiberglass, Inc.

21415 US Hwy 75 NW, Warren, MN 56762
www.nordicfiberglass.com
218-745-5095 ph. --- 218-745-4990 fax

GS-44-18-18M-MG-37x9.5

PROPRIETARY AND CONFIDENTIAL
THE INFORMATION CONTAINED IN THIS DRAWING IS THE SOLE PROPERTY OF
NORDIC FIBERGLASS, INC. ANY REPRODUCTION IN PART OR AS A WHOLE
WITHOUT THE WRITTEN PERMISSION OF NORDIC FIBERGLASS, INC. IS PROHIBITED.

| | | |
|--|--------|----------|
| Customer Name: N/A | | |
| DIMENSIONS ARE IN INCHES TOLERANCES: ANGLES $\pm 1^\circ$ FRACTIONAL $\pm 1/2$ ONE PLACE DECIMAL $\pm .060$ TWO PLACE DECIMAL $\pm .030$ THREE PLACE DECIMAL $\pm .015$ | | |
| MATERIAL | | |
| | NAME | DATE |
| DRAWN | P.J.W. | 04/24/07 |
| CHECKED | --- | --/--/-- |

| | | |
|------------|----------|---------------|
| SIZE | ITEM ID: | REV. |
| A | 01010.00 | REL-01 |
| SCALE:1:16 | | SHEET 1 OF 1 |