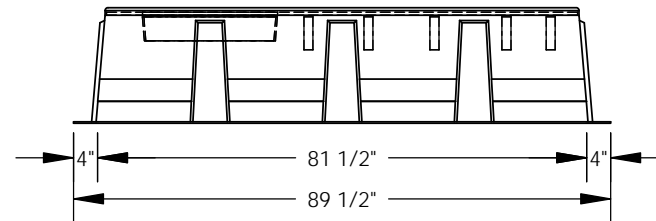
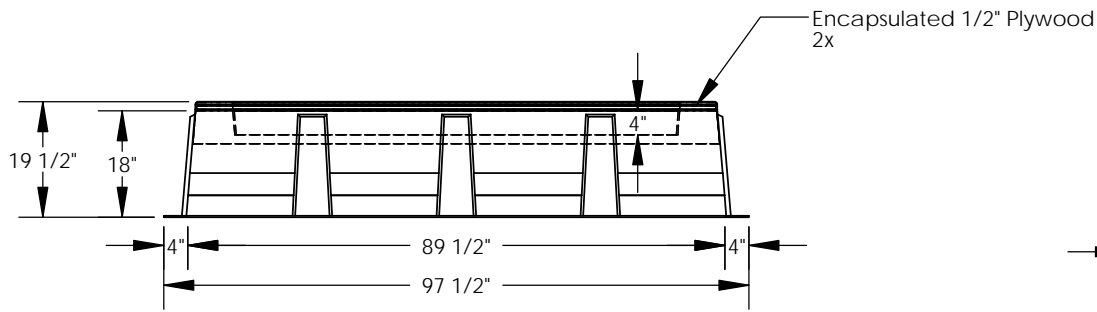
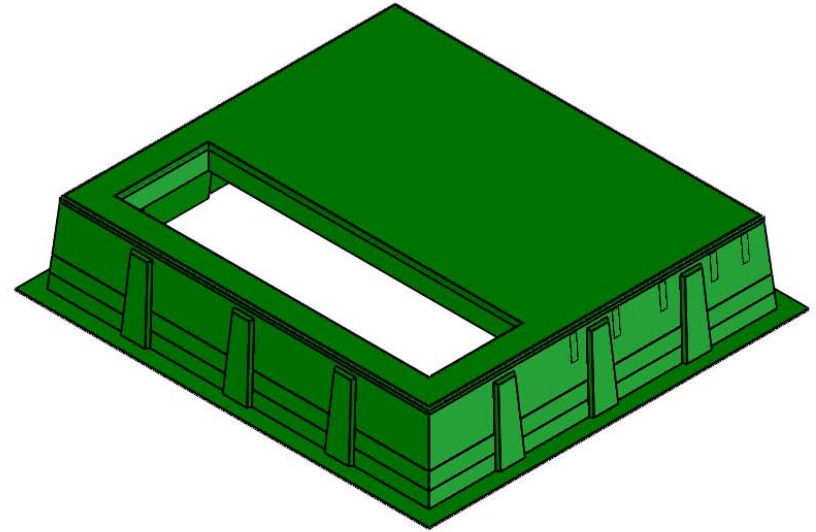
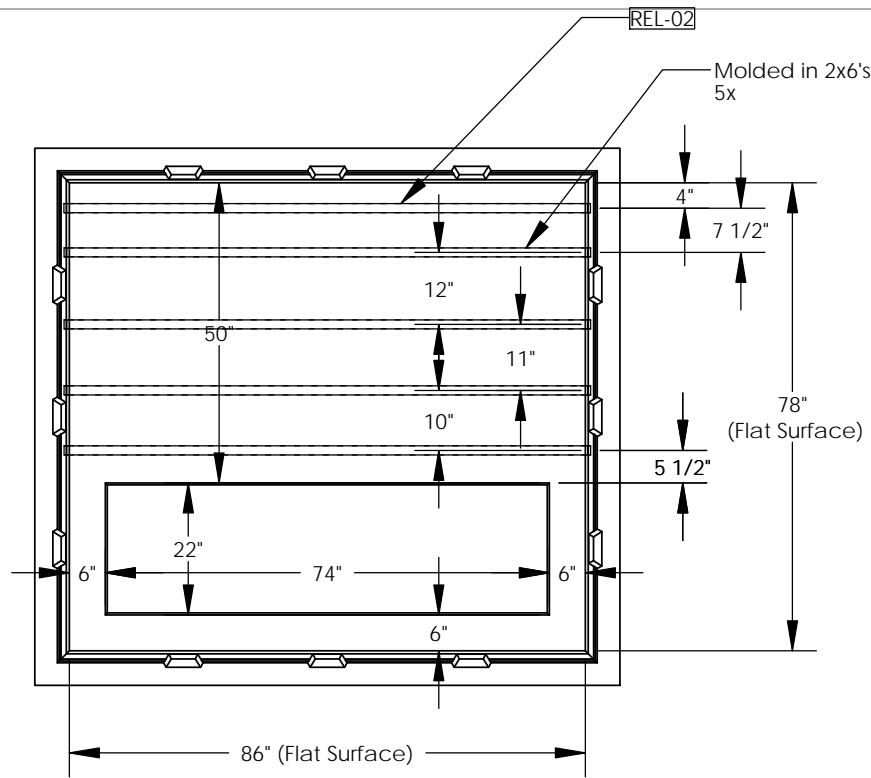


REVISIONS			
REV.	DESCRIPTION	DATE	APPROVED
REL-01		7/23/2009	
REL-02	Added (1) 2x6	2/1/2013	M.F.K.



Proper installation of a box pad for transformers over 9,000 lbs. requires the soil to have a compaction level of 98% prior to setting the box pad. If that is not achievable, a cement pad/footing must be poured underneath the box pad prior to installation.

PROPRIETARY AND CONFIDENTIAL
THE INFORMATION CONTAINED IN THIS DRAWING IS THE SOLE PROPERTY OF NORDIC FIBERGLASS, INC. ANY REPRODUCTION IN PART OR AS A WHOLE WITHOUT THE WRITTEN PERMISSION OF NORDIC FIBERGLASS, INC. IS PROHIBITED.

Customer Name: N/A		
DIMENSIONS ARE IN INCHES TOLERANCES: ANGLES ± 1° FRACTIONAL ± 1/2 ONE PLACE DECIMAL ±.060 TWO PLACE DECIMAL ±.030 THREE PLACE DECIMAL ±.015		
MATERIAL		
DRAWN	NAME R.L.J.	DATE 07/23/09
CHECKED	---	--/--

Nordic Fiberglass, Inc.
21415 US Hwy 75 NW, Warren, MN 56762
www.nordicfiberglass.com
218-745-5095 ph. --- 218-745-4990 fax

GS-86-78-18RT-2X-MG-74x22

SIZE A	ITEM ID: 02015.05	REV. REL-02
SCALE:1:30	SHEET 1 OF 1	