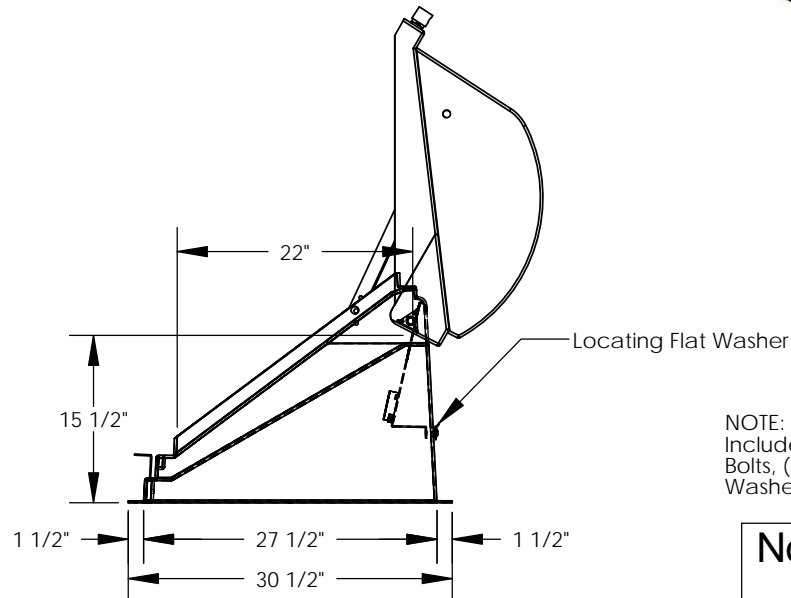
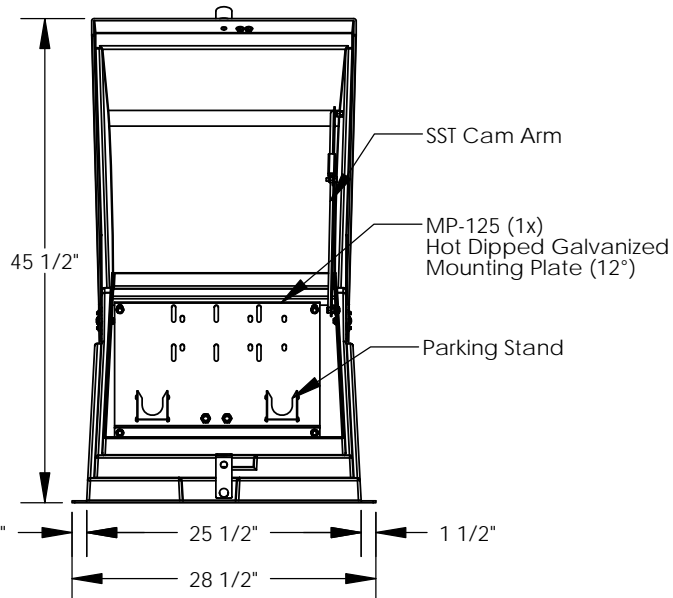
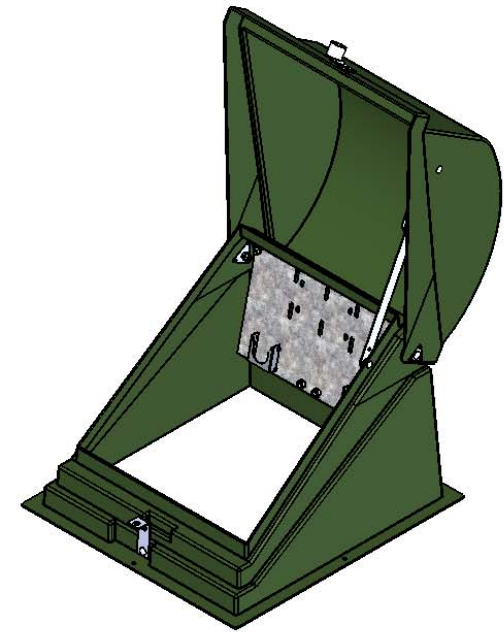
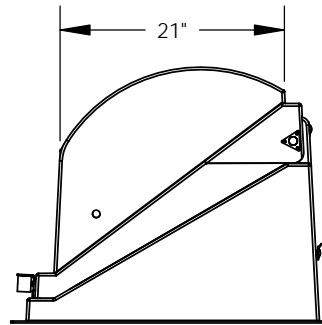
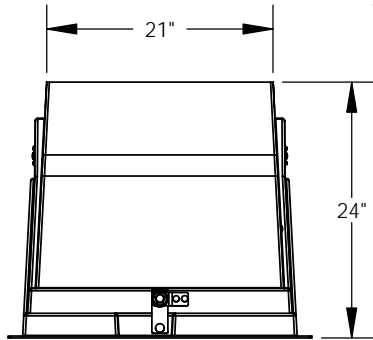
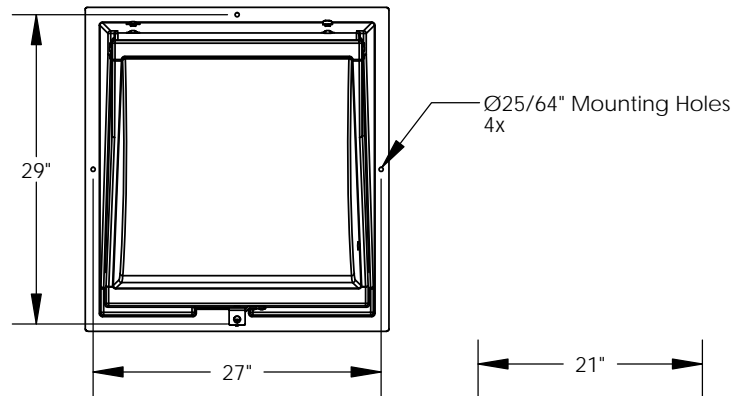


REVISIONS			
REV.	DESCRIPTION	DATE	APPROVED
REL-01		9/18/2009	



NOTE:
Includes (4) 5/16-18x1.25 SST Carriage Bolts, (4) 5/16 SST Flat Washers, (4) 5/16 Lock Washers, (4) 5/16 SST Hex Nuts

Nordic Fiberglass, Inc.

21415 US Hwy 75 NW, Warren, MN 56762
www.nordicfiberglass.com
218-745-5095 ph. --- 218-745-4990 fax

ND-202224-MG-125-X-X

Customer Name: N/A		
DIMENSIONS ARE IN INCHES		
TOLERANCES: ANGLES $\pm 1^\circ$		
FRACTIONAL $\pm 1/2$		
ONE PLACE DECIMAL $\pm .060$		
TWO PLACE DECIMAL $\pm .030$		
THREE PLACE DECIMAL $\pm .015$		
MATERIAL		
DRAWN	NAME	DATE
	R.L.J.	09/18/2009
CHECKED	---	--/--

SIZE	ITEM ID:	REV.
A	04090.51	REL-01
SCALE:1:32		SHEET 1 OF 1

PROPRIETARY AND CONFIDENTIAL

THE INFORMATION CONTAINED IN THIS DRAWING IS THE SOLE PROPERTY OF NORDIC FIBERGLASS, INC. ANY REPRODUCTION IN PART OR AS A WHOLE WITHOUT THE WRITTEN PERMISSION OF NORDIC FIBERGLASS, INC. IS PROHIBITED.