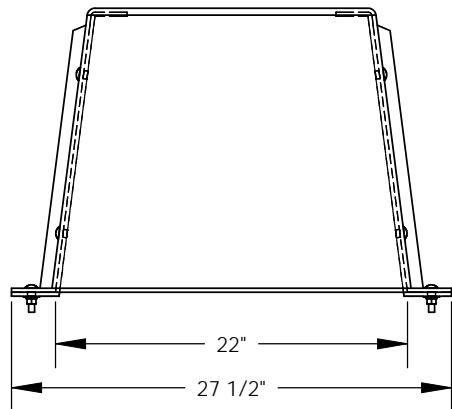
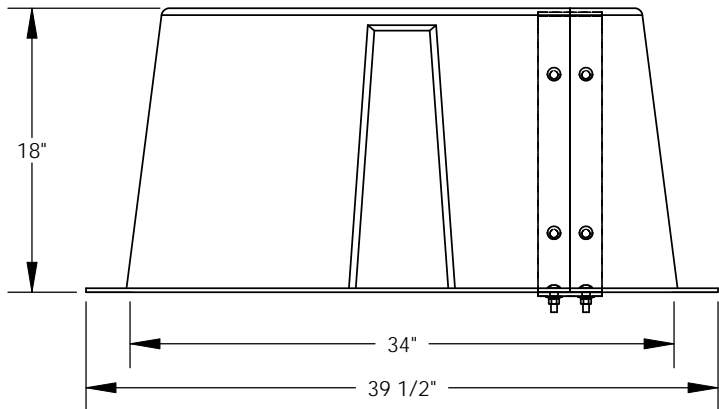
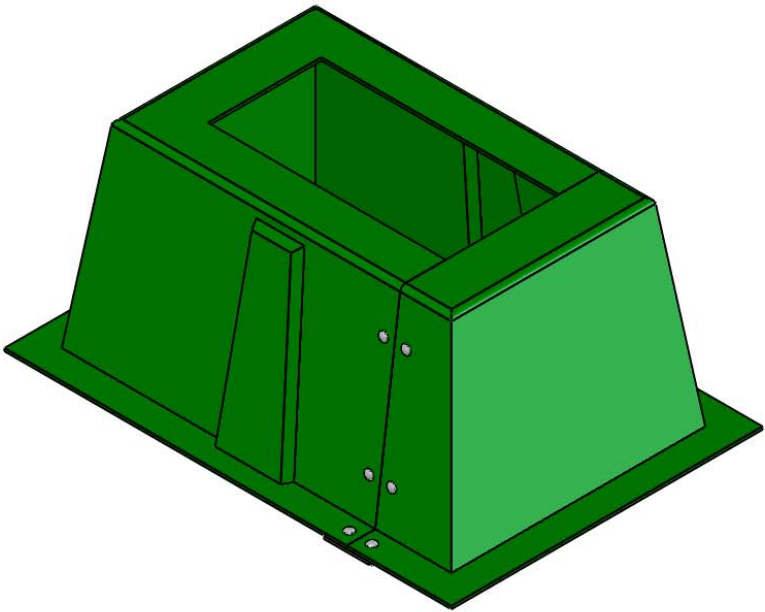
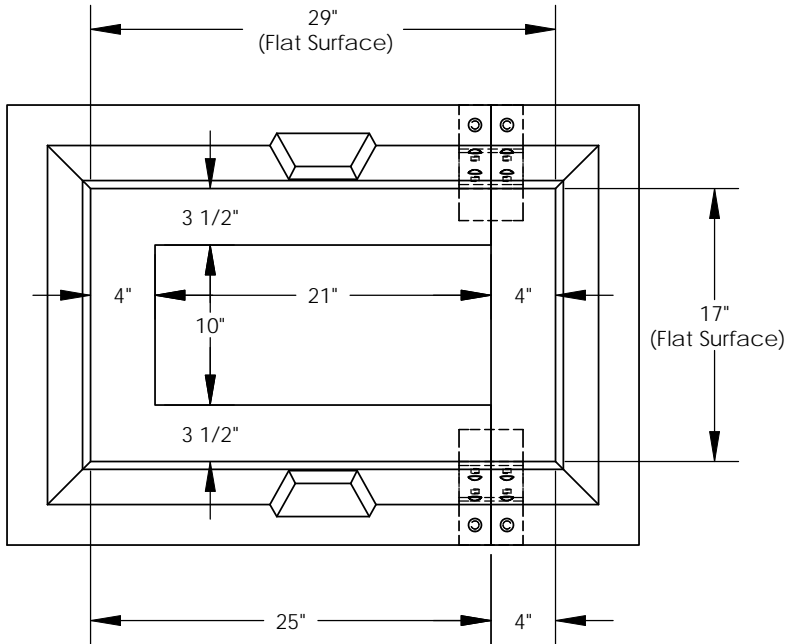


REVISIONS			
REV.	DESCRIPTION	DATE	APPROVED
REL-01		9/19/2007	



NOTE:
Includes (12) 3/8x1.5 SST Carriage Bolts,
(12) 3/8 SST Hex Nuts, (12) 3/8 SST Flat
Washers, (12) 3/8 SST Lock Washers for
Assembly Ground Sleeve

Includes (4) 3/8x1.5 ZN Hex Bolts, (4) 3/8
ZN Hex Nuts, (8) 3/8 ZN Flat Washers, (4)
1/2 ZN Flat Washers

PROPRIETARY AND CONFIDENTIAL
THE INFORMATION CONTAINED IN THIS DRAWING IS THE SOLE PROPERTY OF
NORDIC FIBERGLASS, INC. ANY REPRODUCTION IN PART OR AS A WHOLE
WITHOUT THE WRITTEN PERMISSION OF NORDIC FIBERGLASS, INC. IS PROHIBITED.

Customer Name: N/A		
DIMENSIONS ARE IN INCHES		
TOLERANCES: ANGLES ± 1°		
FRACTIONAL ± 1/2		
ONE PLACE DECIMAL ±.060		
TWO PLACE DECIMAL ±.030		
THREE PLACE DECIMAL ±.015		
MATERIAL		
DRAWN	NAME	DATE
	P.J.W.	09/19/07
CHECKED	---	--/--/--

Nordic Fiberglass, Inc.
21415 US Hwy 75 NW, Warren, MN 56762
www.nordicfiberglass.com
218-745-5095 ph. --- 218-745-4990 fax

RGS-30-18-18-MG-21x10

SIZE	ITEM ID:	REV.
A	03530.00	REL-01
SCALE:1:12		SHEET 1 OF 1