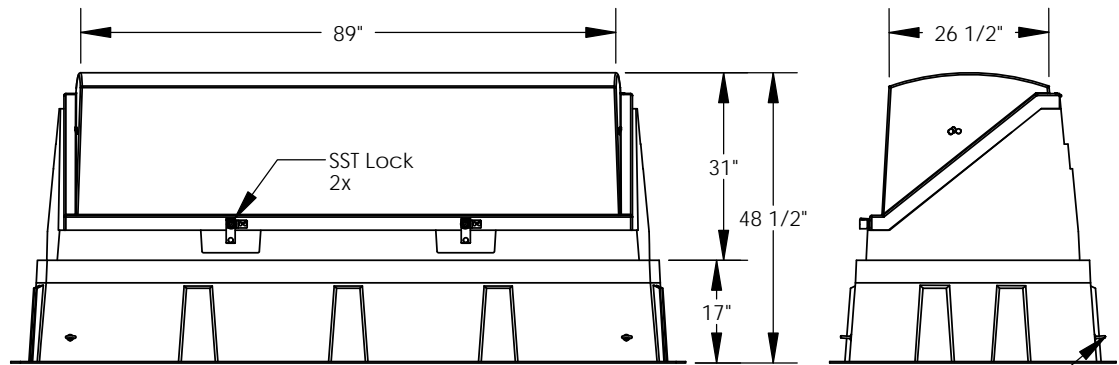
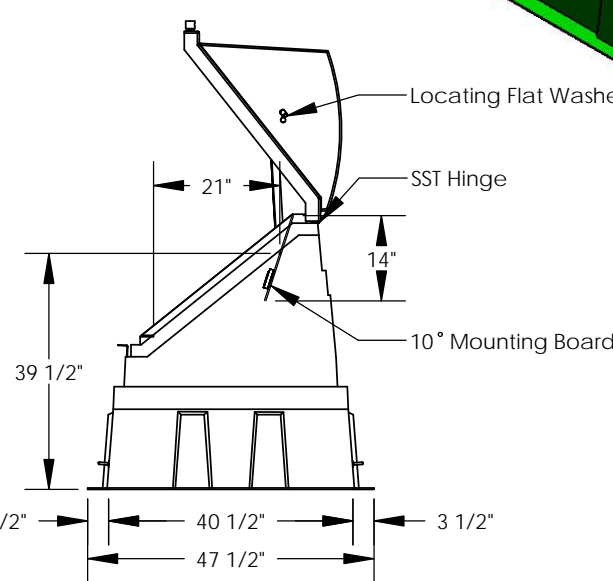
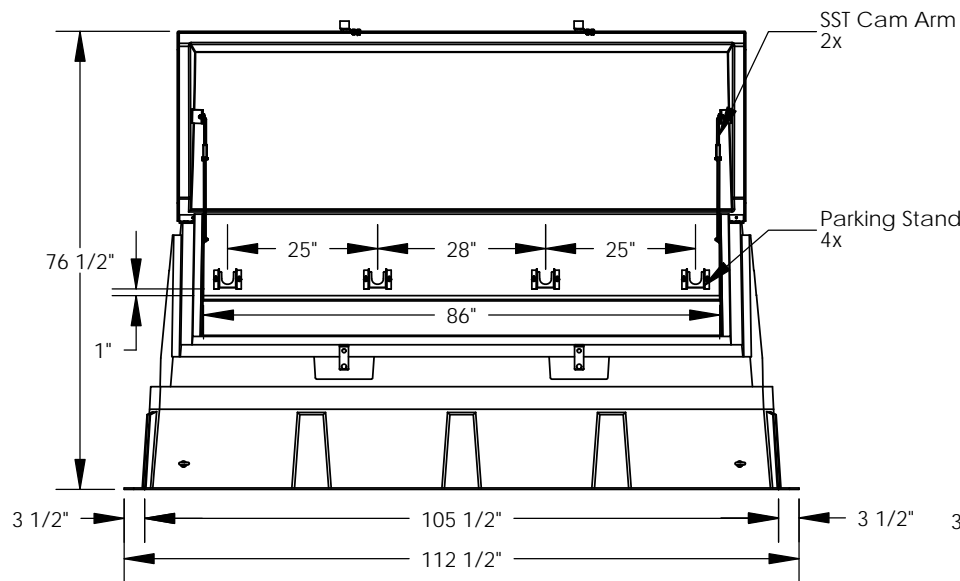
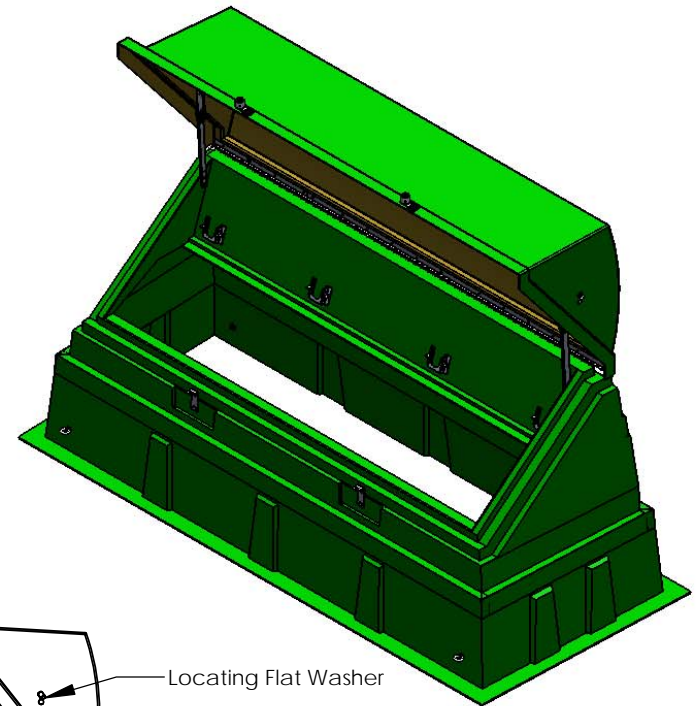


| REVISIONS | | | |
|-----------|-------------|-----------|----------|
| REV. | DESCRIPTION | DATE | APPROVED |
| REL-01 | | 1/18/2008 | |



ZN Coated Eyebolt
4x



Nordic Fiberglass, Inc.
 21415 US Hwy 75 NW, Warren, MN 56762
 www.nordicfiberglass.com
 218-745-5095 ph. --- 218-745-4990 fax

ND-325-MG-PS14A-X-X

| | | | | | |
|---------------------------|----------|--------|------------|----------|--------------|
| Customer Name: N/A | MATERIAL | | SIZE | ITEM ID: | REV. |
| DIMENSIONS ARE IN INCHES | NAME | DATE | A | 02790.40 | REL-01 |
| TOLERANCES: ANGLES ± 1° | DRAWN | P.J.W. | SCALE:1:32 | | SHEET 1 OF 1 |
| FRACTIONAL ± 1/32 | CHECKED | --- | | | |
| ONE PLACE DECIMAL ±.060 | | | | | |
| TWO PLACE DECIMAL ±.030 | | | | | |
| THREE PLACE DECIMAL ±.015 | | | | | |

PROPRIETARY AND CONFIDENTIAL
 THE INFORMATION CONTAINED IN THIS DRAWING IS THE SOLE PROPERTY OF NORDIC FIBERGLASS, INC. ANY REPRODUCTION IN PART OR AS A WHOLE WITHOUT THE WRITTEN PERMISSION OF NORDIC FIBERGLASS, INC. IS PROHIBITED.