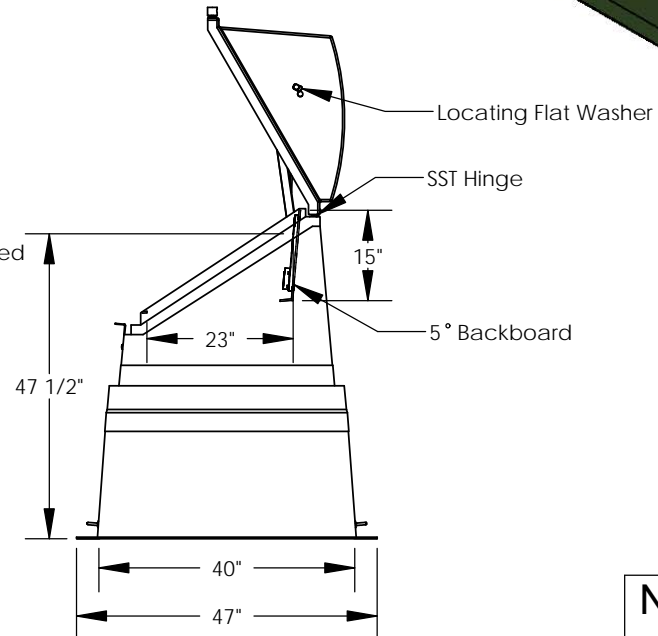
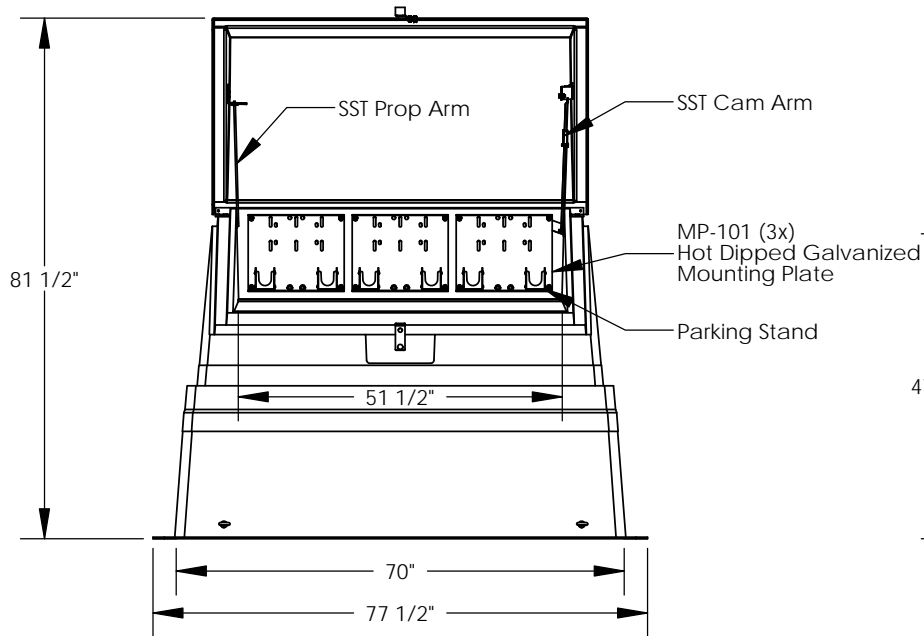
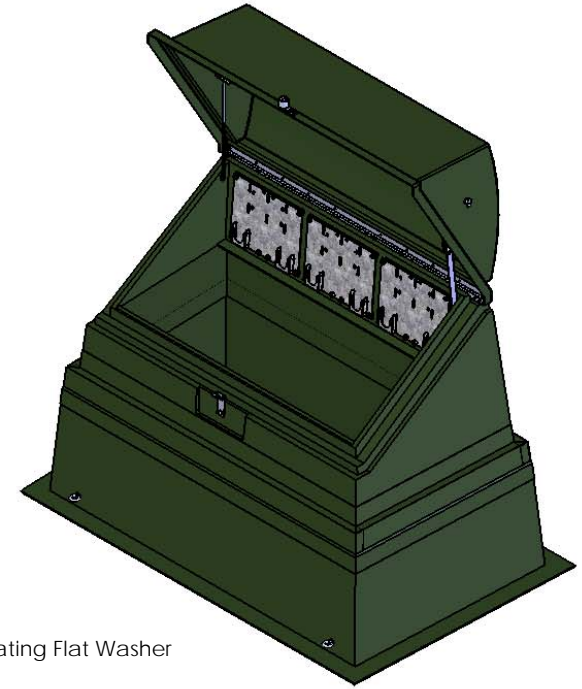
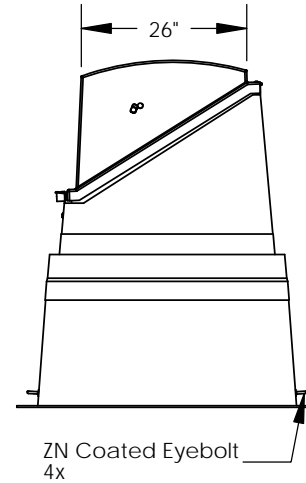
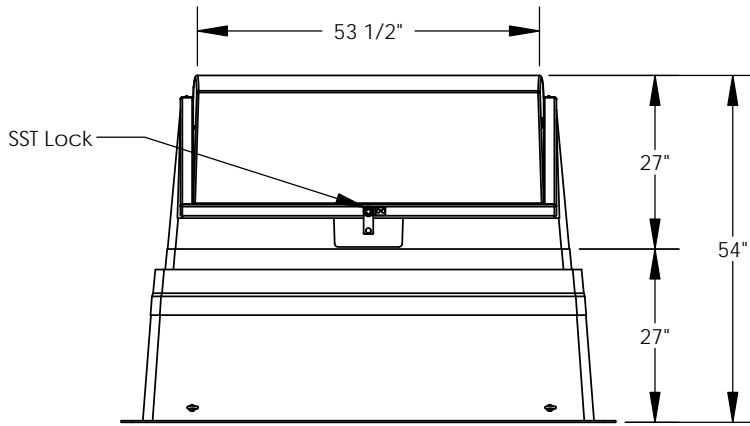


REVISIONS			
REV.	DESCRIPTION	DATE	APPROVED
REL-01		10/2/2006	



Nordic Fiberglass, Inc.

21415 US Hwy 75 NW, Warren, MN 56762
www.nordicfiberglass.com
218-745-5095 ph. --- 218-745-4990 fax

ND-360-MG-101-X-X

Customer Name: N/A

DIMENSIONS ARE IN INCHES
TOLERANCES: ANGLES ± 1°
FRACTIONAL ± 1/2
ONE PLACE DECIMAL ±.060
TWO PLACE DECIMAL ±.030
THREE PLACE DECIMAL ±.015

MATERIAL

	NAME	DATE
DRAWN	P.J.W.	10/02/06
CHECKED	---	--/--/--

SIZE	ITEM ID:	REV.
A	02880.00	REL-01
SCALE:1:30		SHEET 1 OF 1

PROPRIETARY AND CONFIDENTIAL

THE INFORMATION CONTAINED IN THIS DRAWING IS THE SOLE PROPERTY OF NORDIC FIBERGLASS, INC. ANY REPRODUCTION IN PART OR AS A WHOLE WITHOUT THE WRITTEN PERMISSION OF NORDIC FIBERGLASS, INC. IS PROHIBITED.