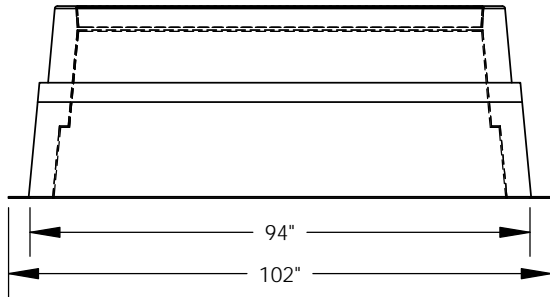
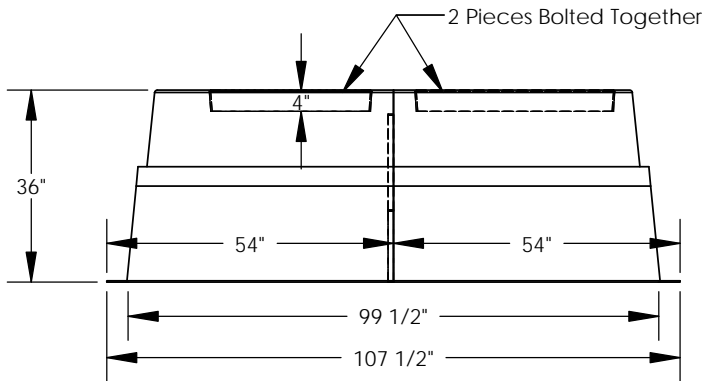
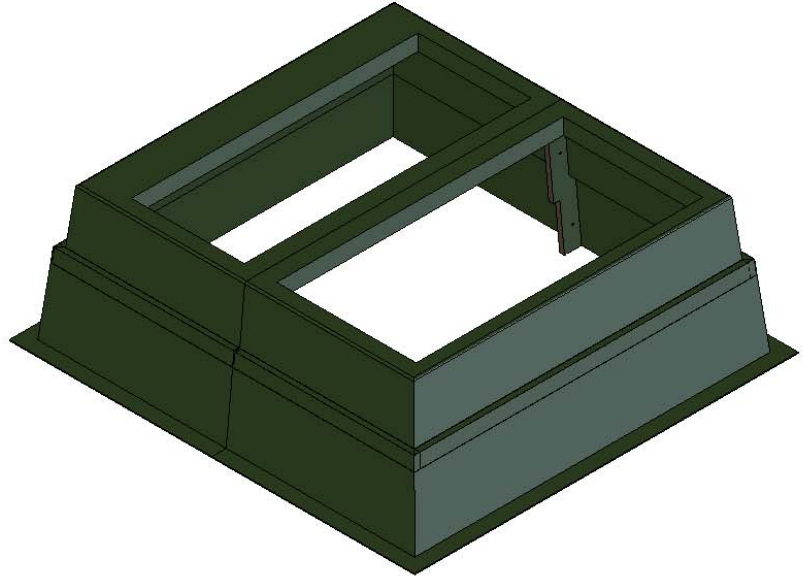
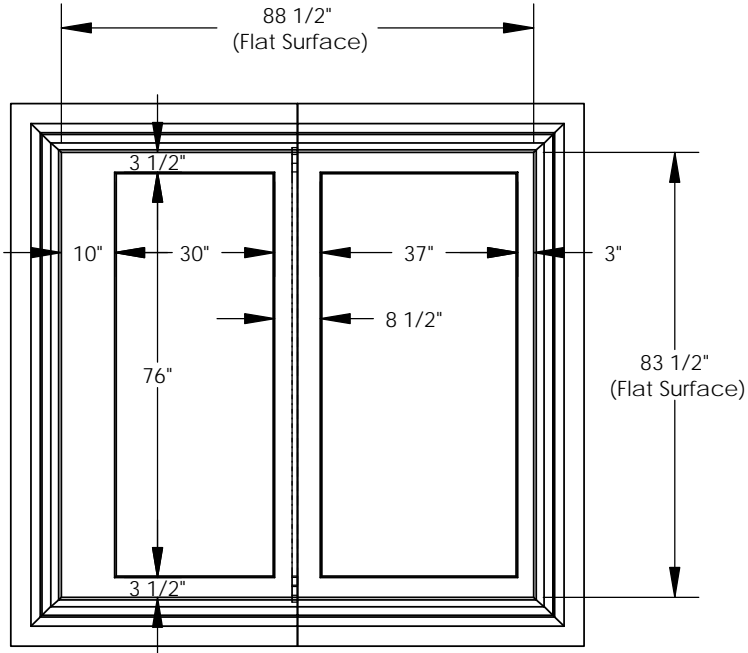


REVISIONS			
REV.	DESCRIPTION	DATE	APPROVED
REL-01		6/13/2007	



NOTES:
2 Halves Shipped Unattached

Includes (9) 1/2x1.75 SST Hex Bolts,
(9) 1/2 SST Hex Nuts, (18) 1/2 SST Flat
Washers, (9) 1/2 SST Lock Washers

Nordic Fiberglass, Inc.

21415 US Hwy 75 NW, Warren, MN 56762
www.nordicfiberglass.com
218-745-5095 ph. --- 218-745-4990 fax

GS-89-84-36 2 PIECE-MG-73x76

PROPRIETARY AND CONFIDENTIAL
THE INFORMATION CONTAINED IN THIS DRAWING IS THE SOLE PROPERTY OF
NORDIC FIBERGLASS, INC. ANY REPRODUCTION IN PART OR AS A WHOLE
WITHOUT THE WRITTEN PERMISSION OF NORDIC FIBERGLASS, INC. IS PROHIBITED.

Customer Name: N/A		
DIMENSIONS ARE IN INCHES		
TOLERANCES: ANGLES ± 1°		
FRACTIONAL ± 1/2		
ONE PLACE DECIMAL ±.060		
TWO PLACE DECIMAL ±.030		
THREE PLACE DECIMAL ±.015		
MATERIAL		
DRAWN	NAME	DATE
	P.J.W.	06/13/07
CHECKED	---	--/--/--

SIZE	ITEM ID:	REV.
A	02050.00	REL-01
SCALE:1:36	SHEET 1 OF 1	