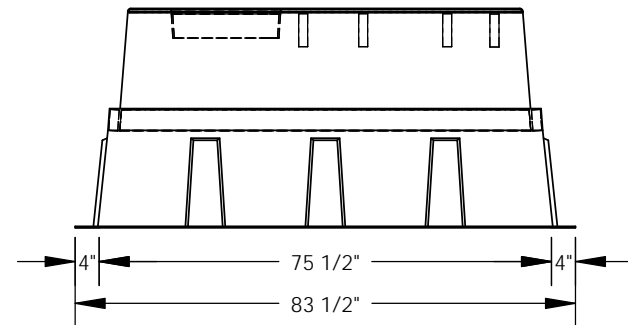
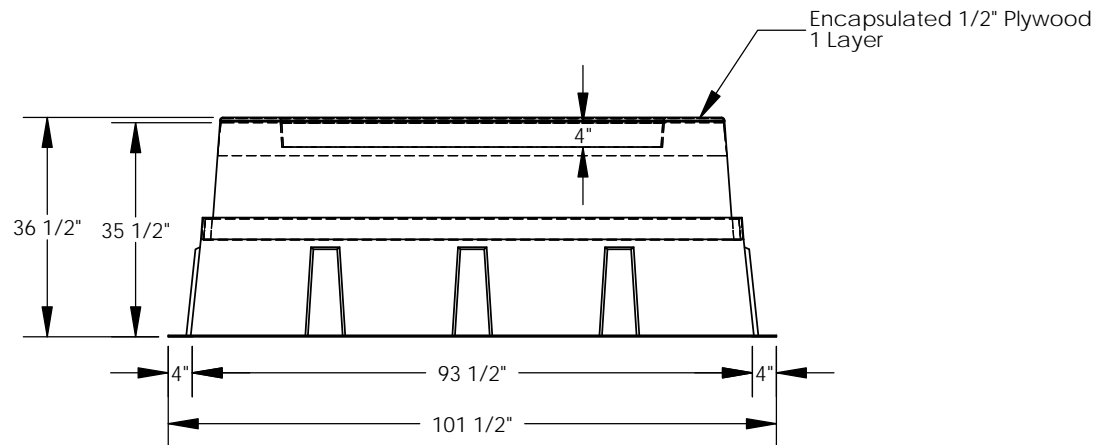
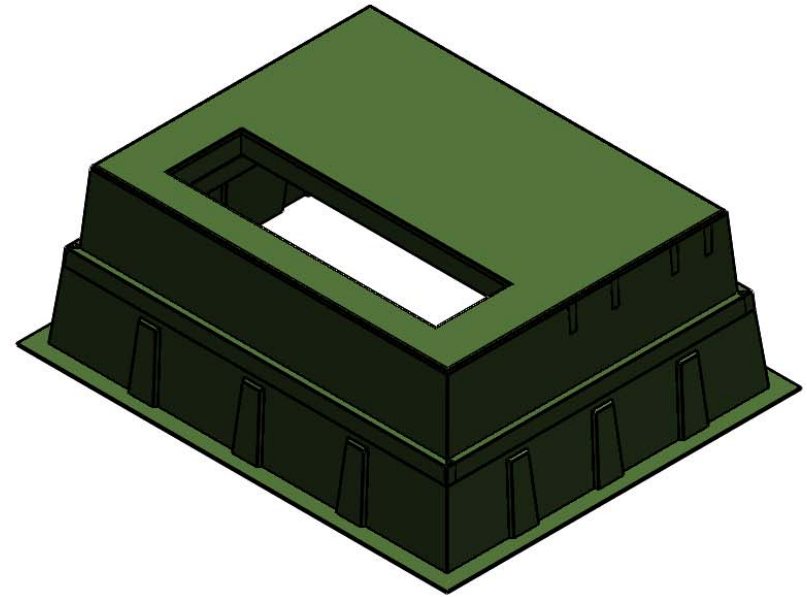
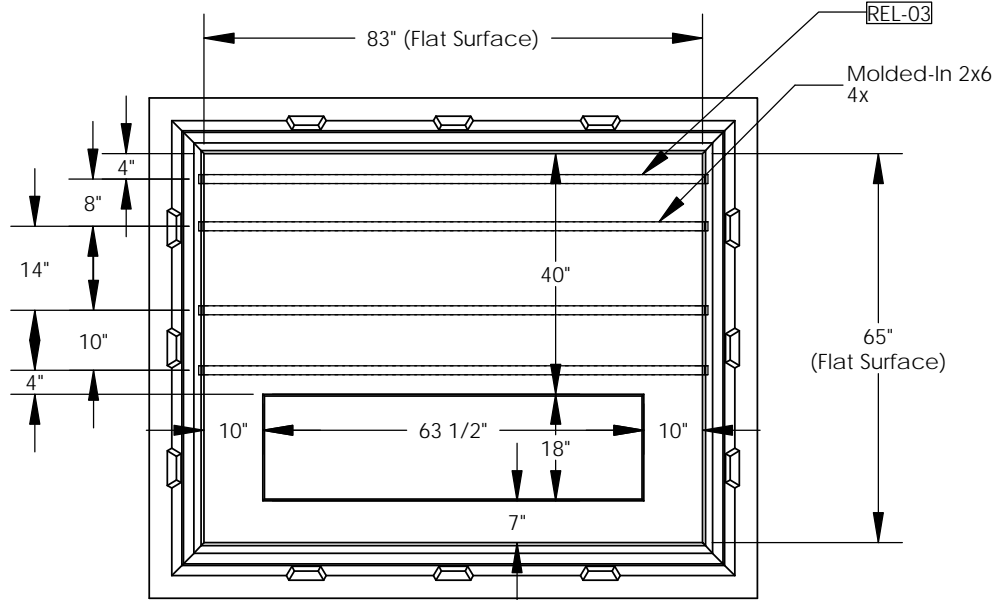


REVISIONS			
REV.	DESCRIPTION	DATE	APPROVED
REL-01		7/26/2007	
REL-02	Changed from 2 Layers 1/2" Plywood and 2x4's	2/1/2008	P.J.W.
REL-03	Added 1 2x6	9/10/2012	M.F.K.



**PROPRIETARY AND CONFIDENTIAL**  
 THE INFORMATION CONTAINED IN THIS DRAWING IS THE SOLE PROPERTY OF NORDIC FIBERGLASS, INC. ANY REPRODUCTION IN PART OR AS A WHOLE WITHOUT THE WRITTEN PERMISSION OF NORDIC FIBERGLASS, INC. IS PROHIBITED.

Customer Name: N/A		
DIMENSIONS ARE IN INCHES		
TOLERANCES: ANGLES ± 1°		
FRACTIONAL ± 1/2		
ONE PLACE DECIMAL ±.060		
TWO PLACE DECIMAL ±.030		
THREE PLACE DECIMAL ±.015		
MATERIAL		
DRAWN	NAME	DATE
	P.J.W.	07/26/07
CHECKED	---	--/--/--

<b>Nordic Fiberglass, Inc.</b>		
21415 US Hwy 75 NW, Warren, MN 56762		
www.nordicfiberglass.com		
218-745-5095 ph. --- 218-745-4990 fax		
GS-84-66-36RT-MG-64x18		
SIZE	ITEM ID:	REV.
<b>A</b>	01960.00	<b>REL-03</b>
SCALE:1:32	SHEET 1 OF 1	