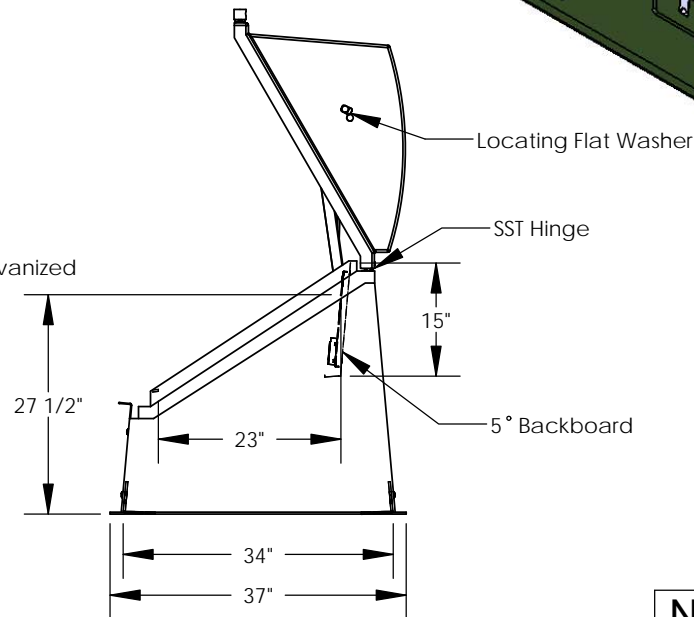
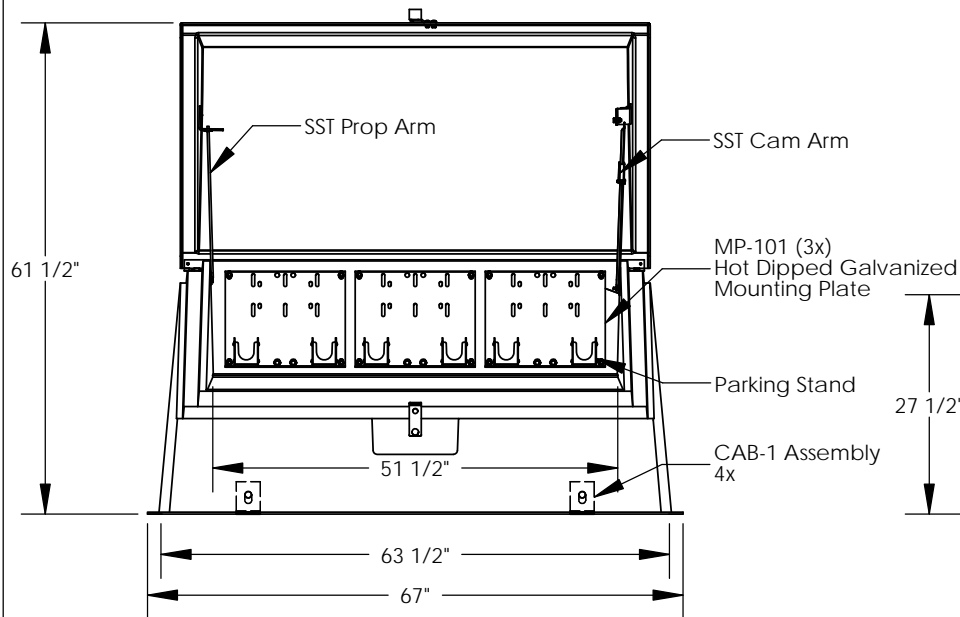
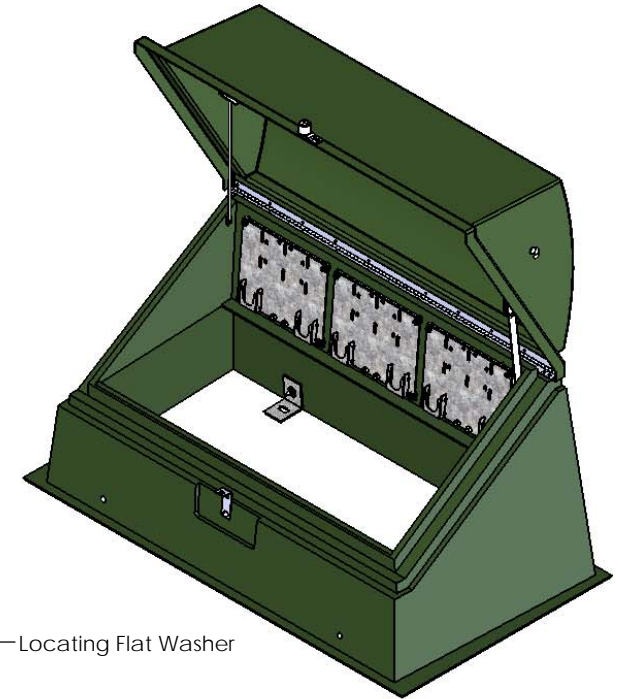
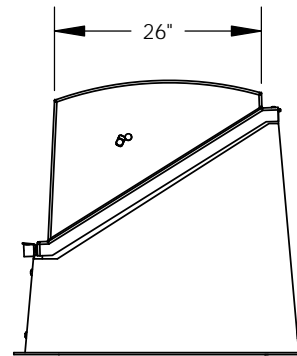
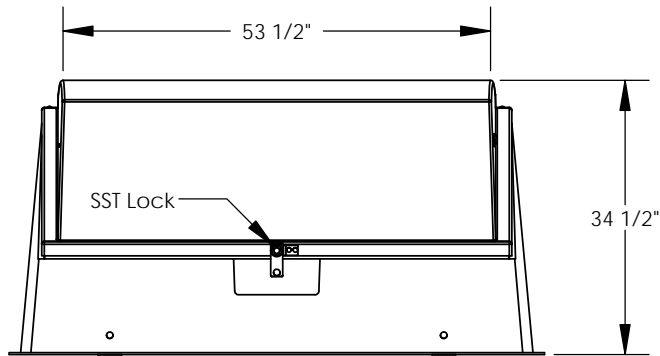


REVISIONS			
REV.	DESCRIPTION	DATE	APPROVED
REL-01		10/5/2006	



NOTES:
 CAB-1 Assembly Does not Include
 Lag Shield or Screw
 Cab-1 Shipped Attached to
 Mounting Plate

Nordic Fiberglass, Inc.

21415 US Hwy 75 NW, Warren, MN 56762
 www.nordicfiberglass.com
 218-745-5095 ph. --- 218-745-4990 fax

ND-250-MG-101-X-X

PROPRIETARY AND CONFIDENTIAL
 THE INFORMATION CONTAINED IN THIS DRAWING IS THE SOLE PROPERTY OF
 NORDIC FIBERGLASS, INC. ANY REPRODUCTION IN PART OR AS A WHOLE
 WITHOUT THE WRITTEN PERMISSION OF NORDIC FIBERGLASS, INC. IS PROHIBITED.

Customer Name: N/A		
DIMENSIONS ARE IN INCHES		
TOLERANCES: ANGLES ± 1°		
FRACTIONAL ± 1/32		
ONE PLACE DECIMAL ±.060		
TWO PLACE DECIMAL ±.030		
THREE PLACE DECIMAL ±.015		
MATERIAL		
SIZE	NAME	DATE
DRAWN	P.J.W.	10/05/06
CHECKED	---	--/--

SCALE: 1:24	SIZE	ITEM ID:	REV.
	A	02690.00	REL-01
SHEET 1 OF 1			