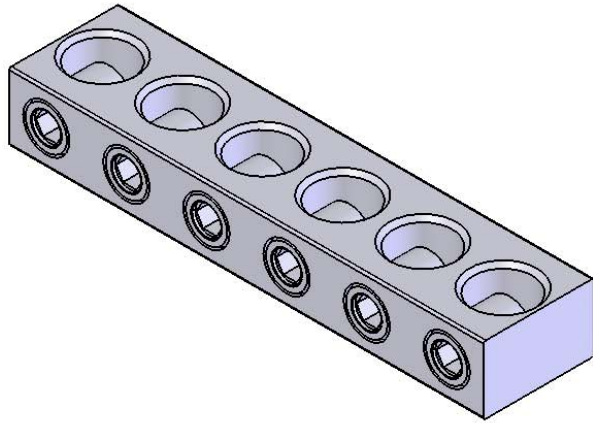
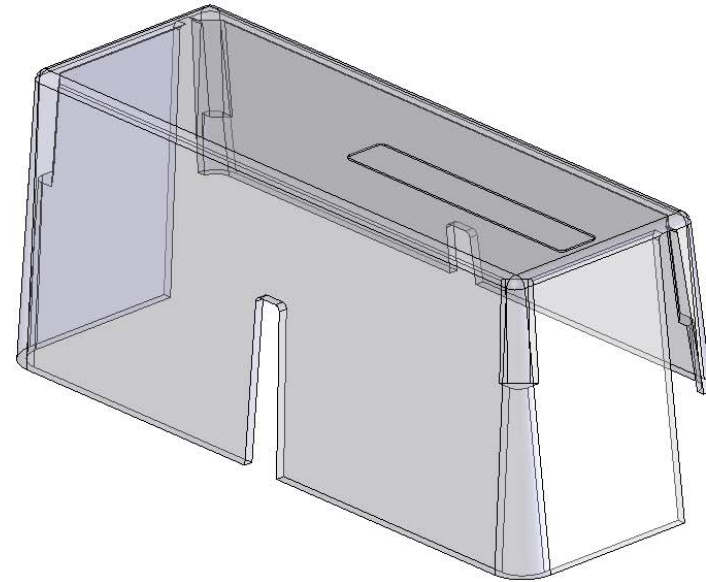


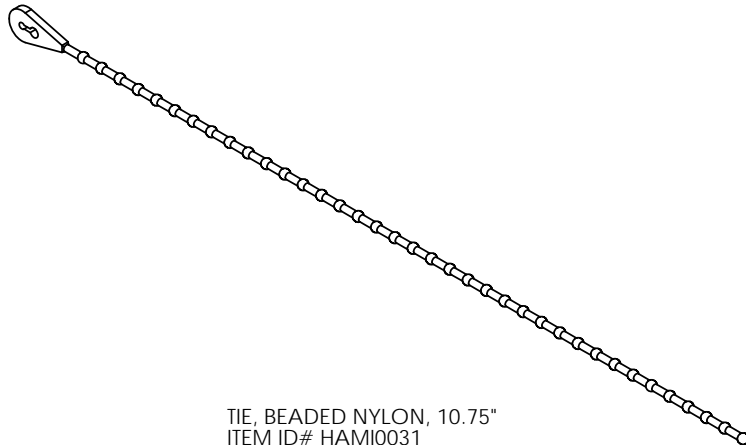
REVISIONS			
REV.	DESCRIPTION	DATE	APPROVED
REL-01		10/8/2008	



CONNECTOR, 6-WAY 500MCM  
ITEM ID# HACO0004  
1X



COVER, CONNECTOR  
ITEM ID# HACO0006  
1X



TIE, BEADED NYLON, 10.75"  
ITEM ID# HAMI0031  
1X



BOLT, PH, SS 1/4-20X.50 (PHILLIPS)  
ITEM ID# HABO0053  
2X

**PROPRIETARY AND CONFIDENTIAL**  
THE INFORMATION CONTAINED IN THIS DRAWING IS THE SOLE PROPERTY OF  
NORDIC FIBERGLASS, INC. ANY REPRODUCTION IN PART OR AS A WHOLE  
WITHOUT THE WRITTEN PERMISSION OF NORDIC FIBERGLASS, INC. IS PROHIBITED.

Customer Name: N/A		
DIMENSIONS ARE IN INCHES TOLERANCES: ANGLES $\pm 1^\circ$ FRACTIONAL $\pm 1/2$ ONE PLACE DECIMAL $\pm .060$ TWO PLACE DECIMAL $\pm .030$ THREE PLACE DECIMAL $\pm .015$		
MATERIAL		
	NAME	DATE
DRAWN	R.L.J.	10/08/08
CHECKED	---	--/--/--

## Nordic Fiberglass, Inc.

21415 US Hwy 75 NW, Warren, MN 56762  
www.nordicfiberglass.com  
218-745-5095 ph. --- 218-745-4990 fax

6500 Kit For PSPF

SIZE	ITEM ID:	REV.
<b>A</b>	03506.95	<b>REL-01</b>
SCALE:1:2	SHEET 1 OF 1	