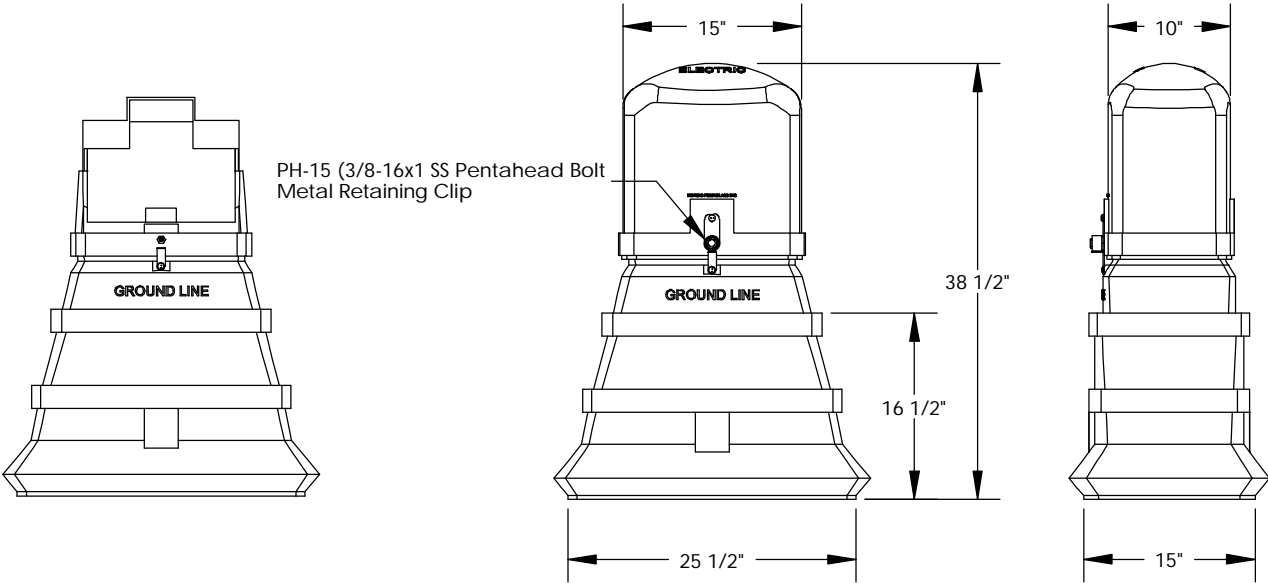
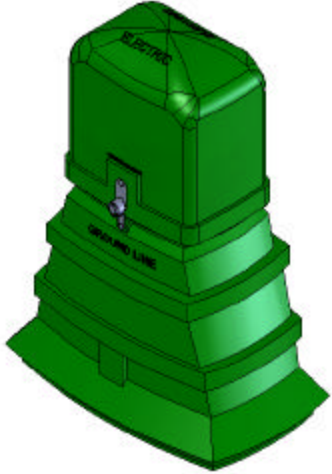


REVISIONS			
REV.	DESCRIPTION	DATE	APPROVED
REL-01		5/3/2006	



PH-15 (3/8-16x1 SS Pentahead Bolt Metal Retaining Clip)

Nordic Fiberglass, Inc.

21415 US Hwy 75 NW, Warren, MN 56762
 www.nordicfiberglass.com
 218-745-5095 ph. --- 218-745-4990 fax

PSPF-101538-MG-X

PROPRIETARY AND CONFIDENTIAL
 THE INFORMATION CONTAINED IN THIS DRAWING IS THE SOLE PROPERTY OF NORDIC FIBERGLASS, INC. ANY REPRODUCTION IN PART OR AS A WHOLE WITHOUT THE WRITTEN PERMISSION OF NORDIC FIBERGLASS, INC. IS PROHIBITED.

Customer Name: N/A		
DIMENSIONS ARE IN INCHES TOLERANCES: ANGLES ± 1° FRACTIONAL ± 1/2 ONE PLACE DECIMAL ± .060 TWO PLACE DECIMAL ± .030 THREE PLACE DECIMAL ± .015		
MATERIAL		
DRAWN	NAME	DATE
	P.J.W.	05/03/06
CHECKED		

SIZE	ITEM ID:	REV.
A	03506.00	REL-01
SCALE: 1:12	SHEET 1 OF 1	