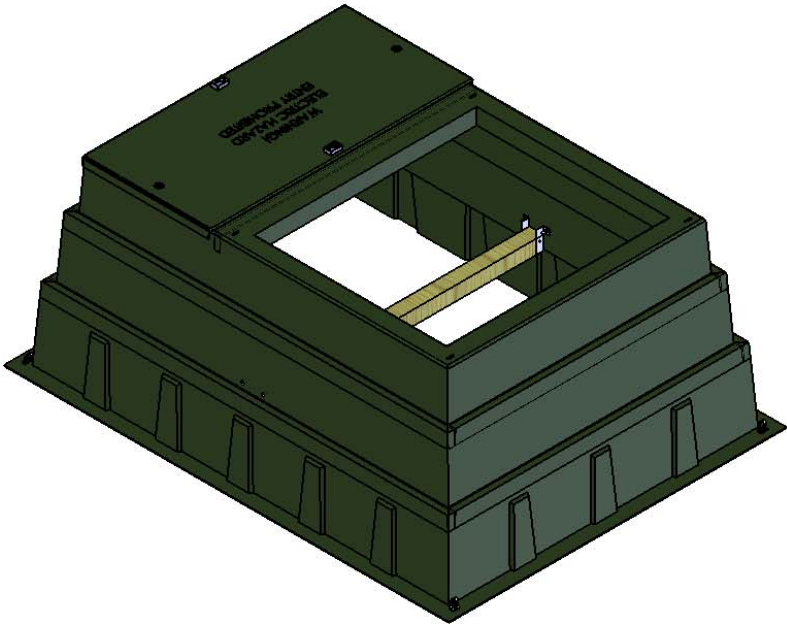
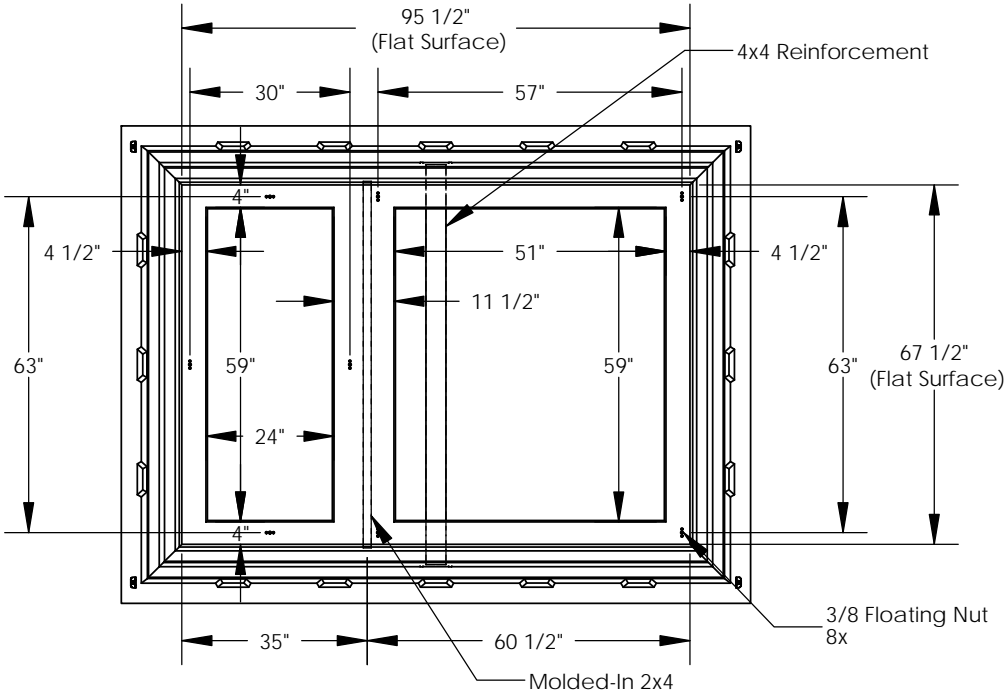
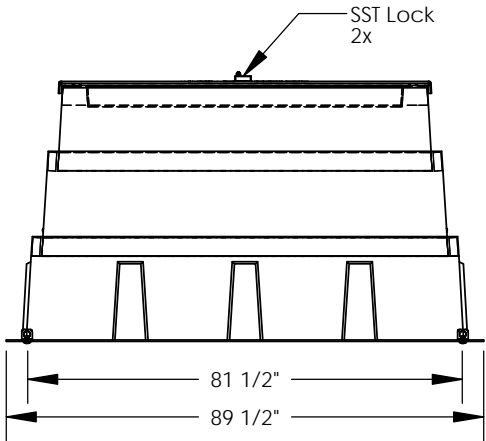
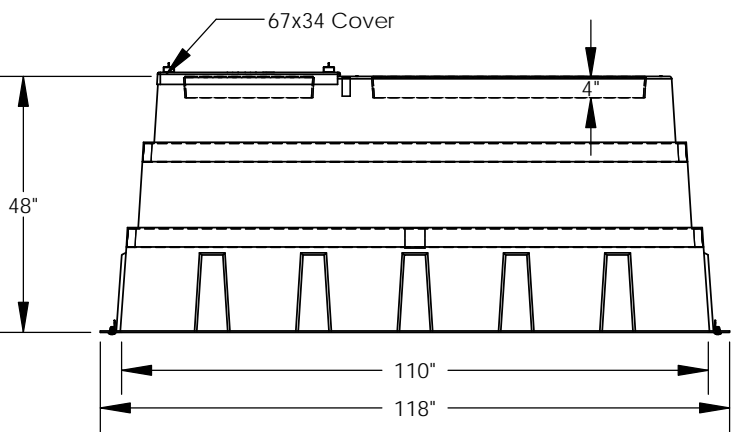


REVISIONS			
REV.	DESCRIPTION	DATE	APPROVED
REL-01		6/26/2007	



GSC-67x34



NOTE:  
 Includes (4) 3/8x1.5 SST Pentahead Bolts to Attach Cover to Box Pad

**Nordic Fiberglass, Inc.**

21415 US Hwy 75 NW, Warren, MN 56762  
 www.nordicfiberglass.com  
 218-745-5095 ph. --- 218-745-4990 fax

GS-96-67-48-MG-59x51-59x24-GSC

**PROPRIETARY AND CONFIDENTIAL**  
 THE INFORMATION CONTAINED IN THIS DRAWING IS THE SOLE PROPERTY OF NORDIC FIBERGLASS, INC. ANY REPRODUCTION IN PART OR AS A WHOLE WITHOUT THE WRITTEN PERMISSION OF NORDIC FIBERGLASS, INC. IS PROHIBITED.

Customer Name: N/A		
DIMENSIONS ARE IN INCHES		
TOLERANCES: ANGLES ± 1°		
FRACTIONAL ± 1/2		
ONE PLACE DECIMAL ±.060		
TWO PLACE DECIMAL ±.030		
THREE PLACE DECIMAL ±.015		
MATERIAL		
DRAWN	NAME	DATE
	P.J.W.	06/26/07
CHECKED	---	--/--

SIZE	ITEM ID:	REV.
<b>A</b>	02075.00	<b>REL-01</b>
SCALE:1:36	SHEET 1 OF 1	