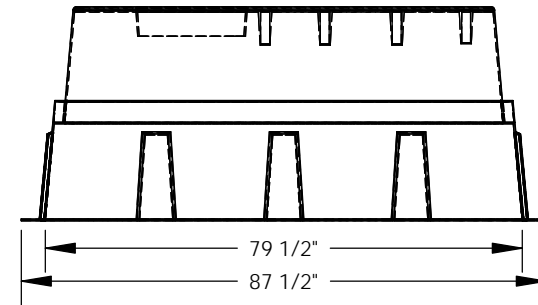
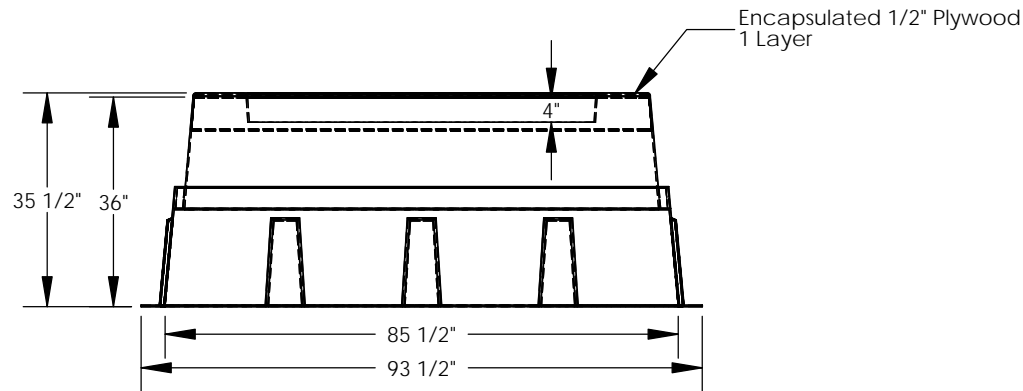
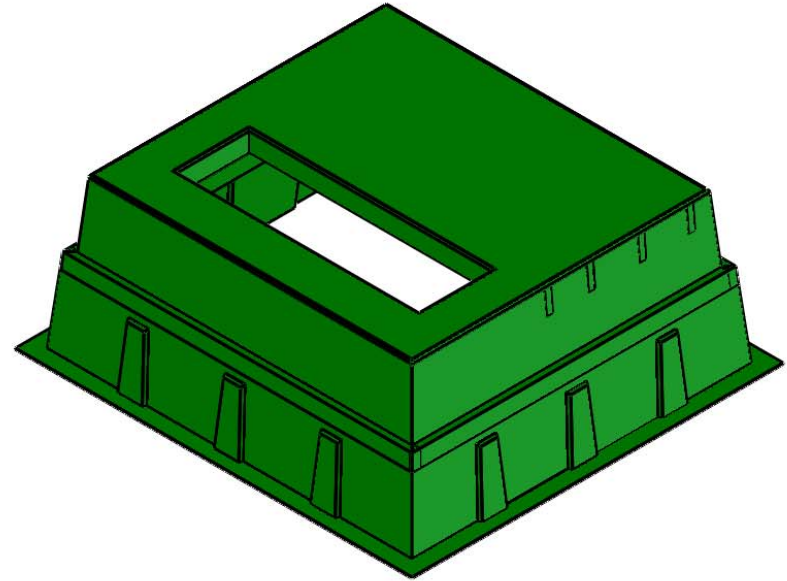
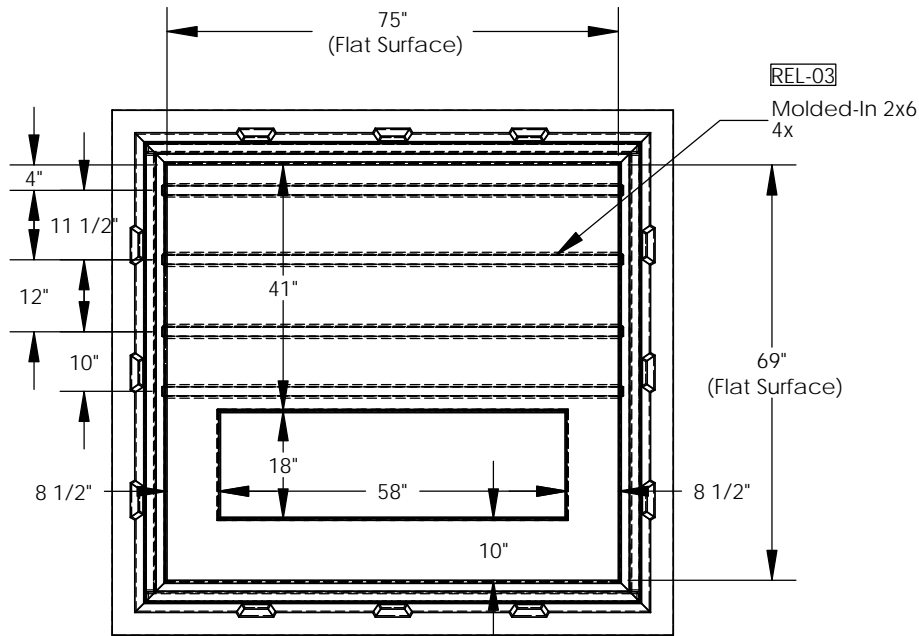


REVISIONS			
REV.	DESCRIPTION	DATE	APPROVED
REL-01		4/11/2007	
REL-02	Changed From 2 Layers 1/2" Plywood and 2x4's	5/2/2007	P.J.W.
REL-03	Added 1 2x6	8/22/2012	M.F.K.



**PROPRIETARY AND CONFIDENTIAL**  
 THE INFORMATION CONTAINED IN THIS DRAWING IS THE SOLE PROPERTY OF  
 NORDIC FIBERGLASS, INC. ANY REPRODUCTION IN PART OR AS A WHOLE  
 WITHOUT THE WRITTEN PERMISSION OF NORDIC FIBERGLASS, INC. IS PROHIBITED.

Customer Name: N/A		
DIMENSIONS ARE IN INCHES		
TOLERANCES: ANGLES ± 1°		
FRACTIONAL ± 1/32		
ONE PLACE DECIMAL ± .060		
TWO PLACE DECIMAL ± .030		
THREE PLACE DECIMAL ± .015		
MATERIAL		
DRAWN	P.J.W.	04/11/07
CHECKED	---	--/--

**Nordic Fiberglass, Inc.**  
 21415 US Hwy 75 NW, Warren, MN 56762  
 www.nordicfiberglass.com  
 218-745-5095 ph. --- 218-745-4990 fax

GS-75-69-36RT-MG-58x18

SIZE	ITEM ID:	REV.
<b>A</b>	01770.00	<b>REL-03</b>
SCALE: 1:32	SHEET 1 OF 1	