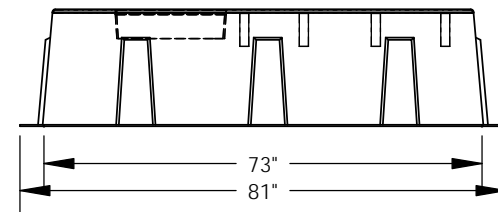
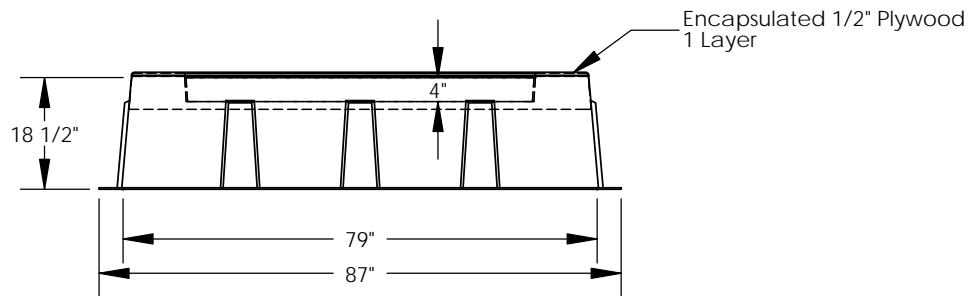
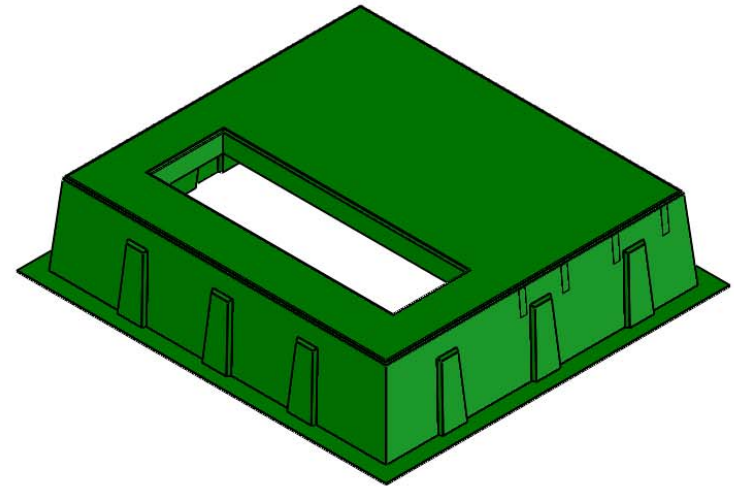
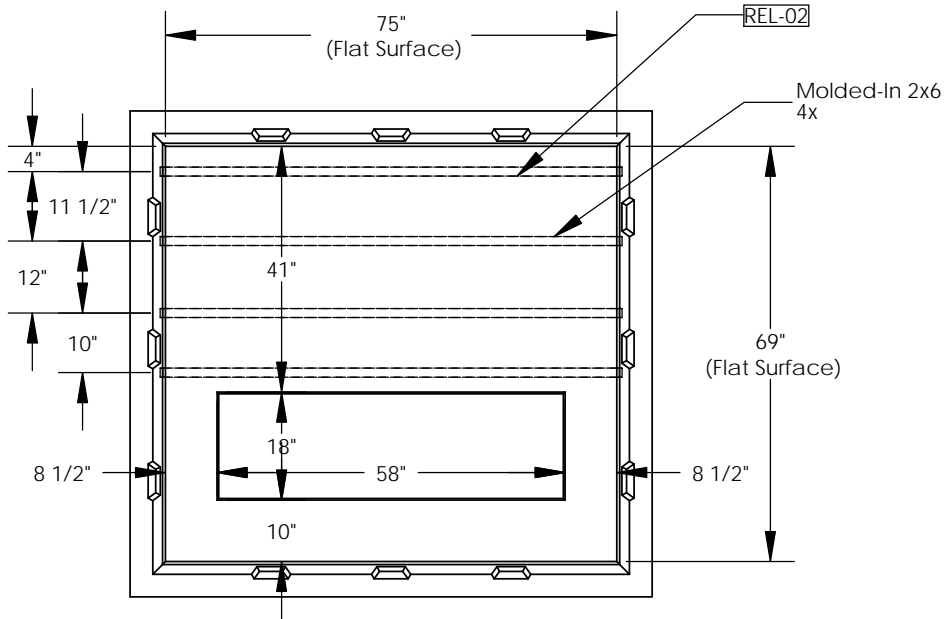


REVISIONS			
REV.	DESCRIPTION	DATE	APPROVED
REL-01		4/11/2007	
REL-02	Added (1) 2x6	11/27/2012	M.F.K.



PROPRIETARY AND CONFIDENTIAL
 THE INFORMATION CONTAINED IN THIS DRAWING IS THE SOLE PROPERTY OF NORDIC FIBERGLASS, INC. ANY REPRODUCTION IN PART OR AS A WHOLE WITHOUT THE WRITTEN PERMISSION OF NORDIC FIBERGLASS, INC. IS PROHIBITED.

Customer Name: N/A		
DIMENSIONS ARE IN INCHES TOLERANCES: ANGLES $\pm 1^\circ$ FRACTIONAL $\pm 1/32$ ONE PLACE DECIMAL $\pm .060$ TWO PLACE DECIMAL $\pm .030$ THREE PLACE DECIMAL $\pm .015$		
MATERIAL		
DRAWN	NAME M.F.K.	DATE 11/27/12
CHECKED	---	--/--

Nordic Fiberglass, Inc.
 21415 US Hwy 75 NW, Warren, MN 56762
 www.nordicfiberglass.com
 218-745-5095 ph. --- 218-745-4990 fax

GS-75-69-18RT-MG-58x18

SIZE A	ITEM ID: 01750.00	REV. REL-02
SCALE:1:32	SHEET 1 OF 1	