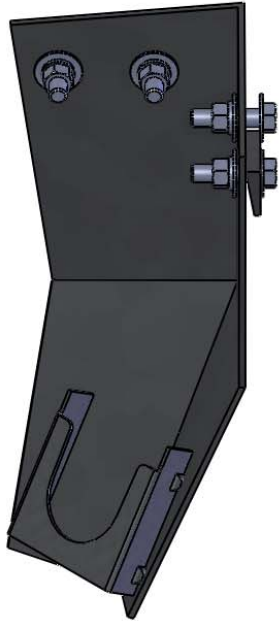
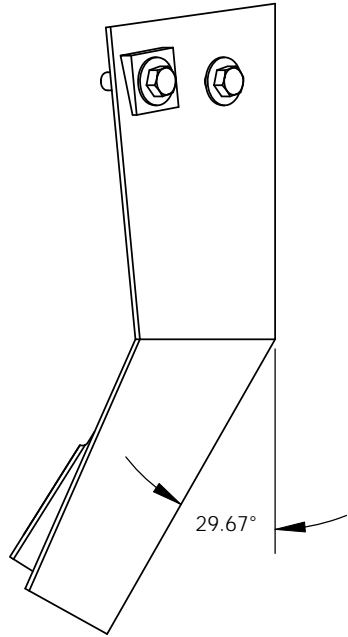
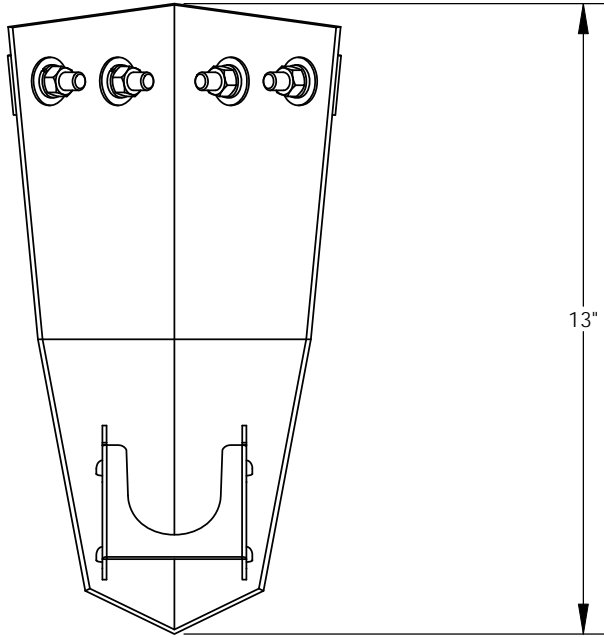


| REVISIONS |             |           |          |
|-----------|-------------|-----------|----------|
| REV.      | DESCRIPTION | DATE      | APPROVED |
| REL-01    |             | 1/16/2008 |          |



NOTE:  
Includes Hardware to Mount  
in CBP-37-43-15

**Nordic Fiberglass, Inc.**

21415 US Hwy 75 NW, Warren, MN 56762  
www.nordicfiberglass.com  
218-745-5095 ph. --- 218-745-4990 fax

TDB-2-C15 ASSEMBLY

**PROPRIETARY AND CONFIDENTIAL**  
THE INFORMATION CONTAINED IN THIS DRAWING IS THE SOLE PROPERTY OF  
NORDIC FIBERGLASS, INC. ANY REPRODUCTION IN PART OR AS A WHOLE  
WITHOUT THE WRITTEN PERMISSION OF NORDIC FIBERGLASS, INC. IS PROHIBITED.

|                                  |        |          |
|----------------------------------|--------|----------|
| Customer Name: N/A               |        |          |
| DIMENSIONS ARE IN INCHES         |        |          |
| TOLERANCES: ANGLES $\pm 1^\circ$ |        |          |
| FRACTIONAL $\pm 1/2$             |        |          |
| ONE PLACE DECIMAL $\pm .060$     |        |          |
| TWO PLACE DECIMAL $\pm .030$     |        |          |
| THREE PLACE DECIMAL $\pm .015$   |        |          |
| MATERIAL                         |        |          |
|                                  | NAME   | DATE     |
| DRAWN                            | P.J.W. | 01/16/08 |
| CHECKED                          | ---    | --/--/-- |

|           |          |               |
|-----------|----------|---------------|
| SIZE      | ITEM ID: | REV.          |
| <b>A</b>  | 03650.02 | <b>REL-01</b> |
| SCALE:1:4 |          | SHEET 1 OF 1  |