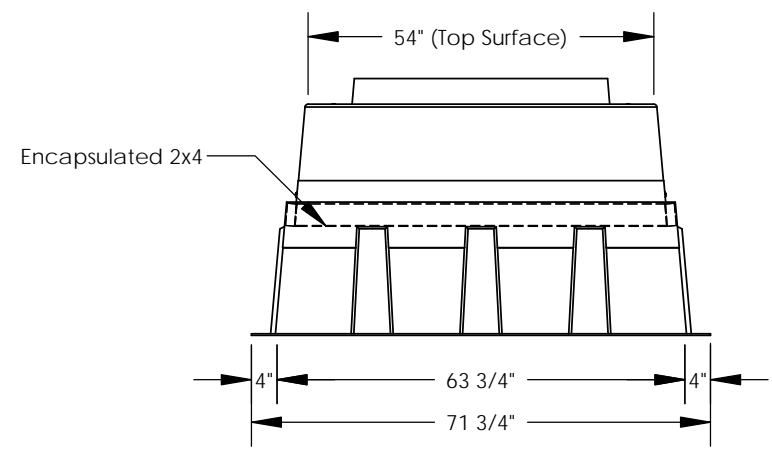
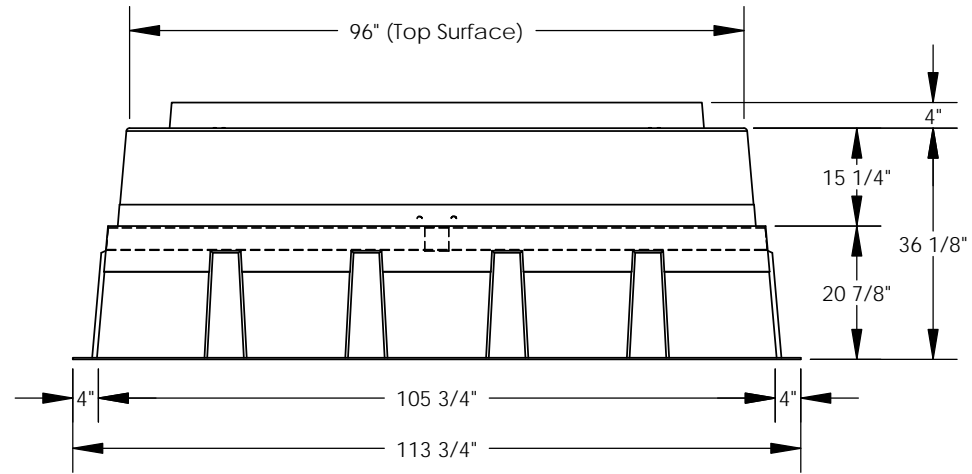
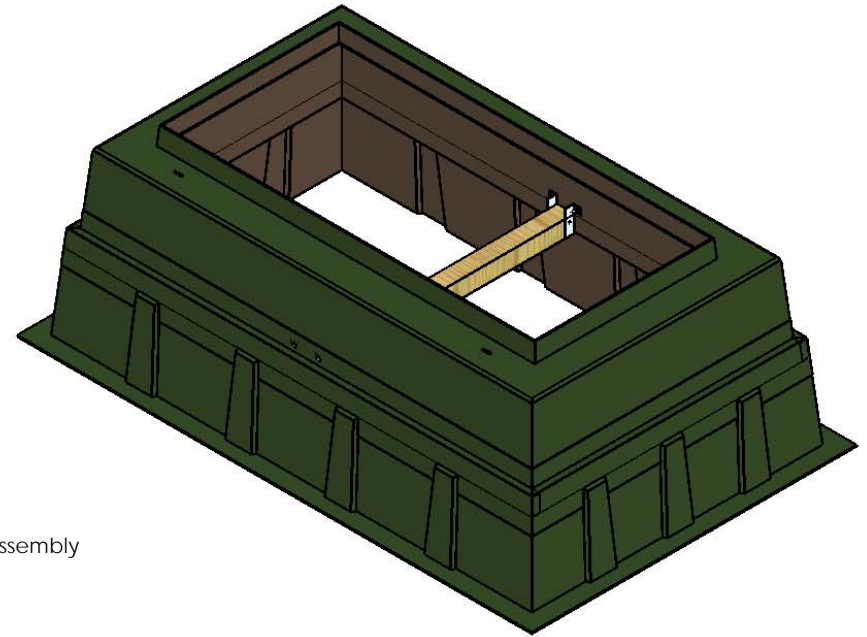
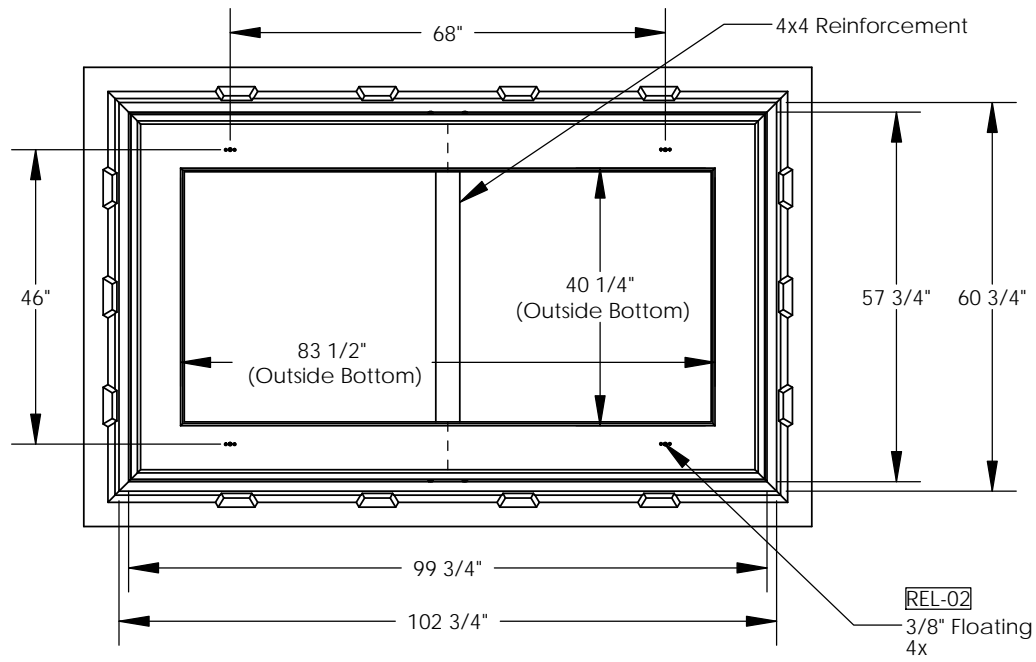


REVISIONS			
REV.	DESCRIPTION	DATE	APPROVED
REL-02	Re-located FN-38's From Upturn Lip, Reduced From Qty. 6 to 4	4/19/2017	R.L.J.



Includes:  
 4 - 3/8"-16x1-1/2" SS HH Bolts  
 4 - 3/8" Flat Washers

**Nordic Fiberglass, Inc.**  
 21415 US Hwy 75 NW, Warren, MN 56762  
 www.nordicfiberglass.com  
 218-745-5095 ph. --- 218-745-4990 fax

**PROPRIETARY AND CONFIDENTIAL**  
 THE INFORMATION CONTAINED IN THIS DRAWING IS THE SOLE PROPERTY OF NORDIC FIBERGLASS, INC. ANY REPRODUCTION IN PART OR AS A WHOLE WITHOUT THE WRITTEN PERMISSION OF NORDIC FIBERGLASS, INC. IS PROHIBITED.

Customer Name: N/A		ND-2722850-MG-36EXT	
DIMENSIONS ARE IN INCHES TOLERANCES: ANGLES ± 1° FRACTIONAL ± 1/32 ONE PLACE DECIMAL ±.060 TWO PLACE DECIMAL ±.030 THREE PLACE DECIMAL ±.015		MATERIAL	SCALE: 1:4
DRAWN	R.L.J.	DATE	07/01/15
CHECKED	---	---	---
SIZE	ITEM ID:	REV.	
<b>A</b>	04150.92	<b>REL-02</b>	
			SHEET 1 OF 1