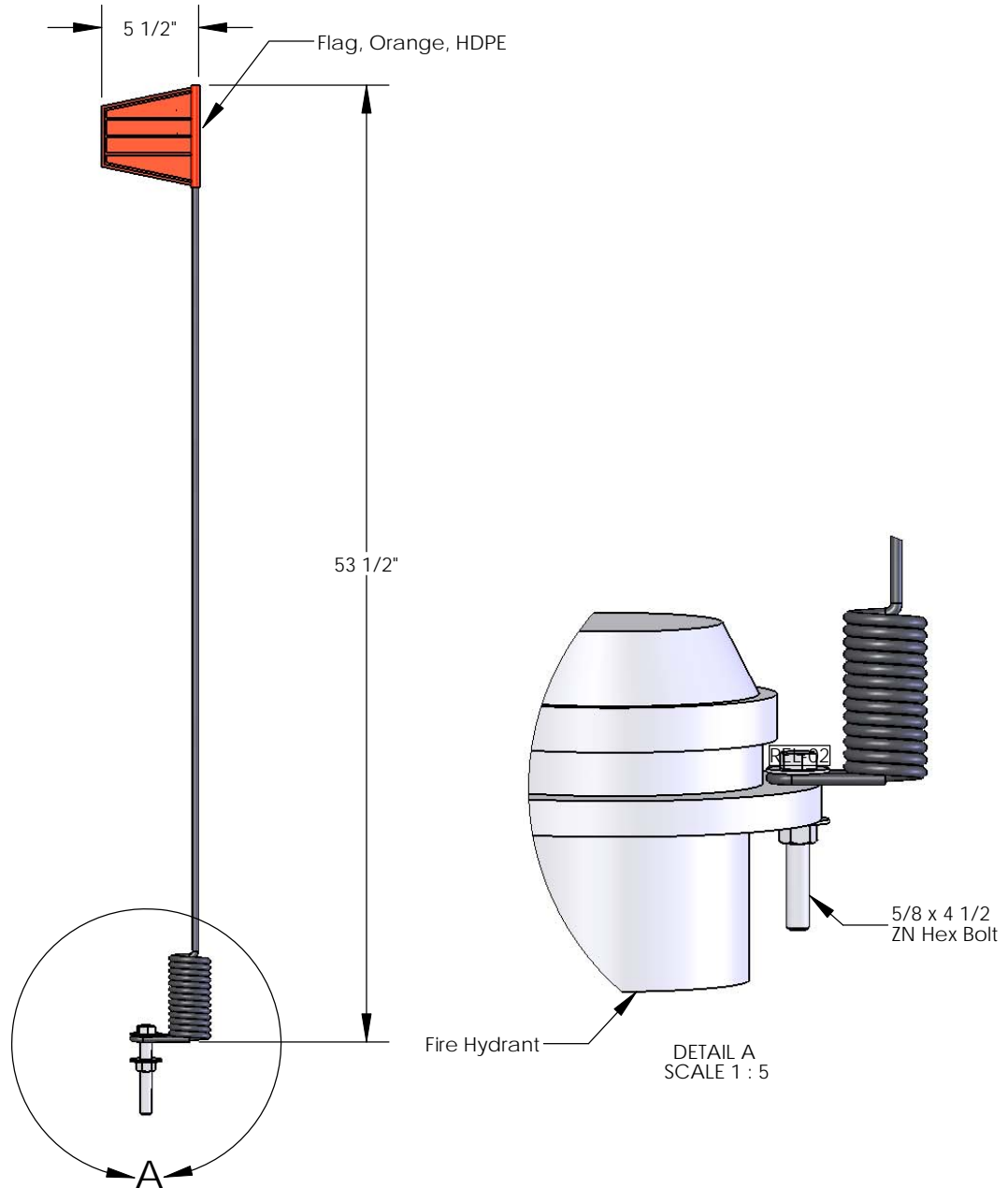


REVISIONS			
REV.	DESCRIPTION	DATE	APPROVED
REL-01		12/9/2005	
REL-02	Discontinued Clip and Strap. Added Washer	10/8/2008	M.F.K.
REL-03	Updated Flag Design	9/9/2009	R.L.J.



Dimensions are Approximate

Nordic Fiberglass, Inc.

21415 US Hwy 75 NW, Warren, MN 56762
 www.nordicfiberglass.com
 218-745-5095 ph. --- 218-745-4990 fax

FF-1, 53 HYDRANT MARKER

PROPRIETARY AND CONFIDENTIAL

THE INFORMATION CONTAINED IN THIS DRAWING IS THE SOLE PROPERTY OF NORDIC FIBERGLASS, INC. ANY REPRODUCTION IN PART OR AS A WHOLE WITHOUT THE WRITTEN PERMISSION OF NORDIC FIBERGLASS, INC. IS PROHIBITED.

Customer Name: N/A

DIMENSIONS ARE IN INCHES
 TOLERANCES: ANGLES $\pm 1^\circ$
 FRACTIONAL $\pm 1/2$
 ONE PLACE DECIMAL $\pm .060$
 TWO PLACE DECIMAL $\pm .030$
 THREE PLACE DECIMAL $\pm .015$

MATERIAL

	NAME	DATE
DRAWN	P.J.W.	12/09/05
CHECKED	---	--/--

SIZE **A**
 SCALE: 1:10

ITEM ID: 00200.00

REV. **REL-03**

SHEET 1 OF 1