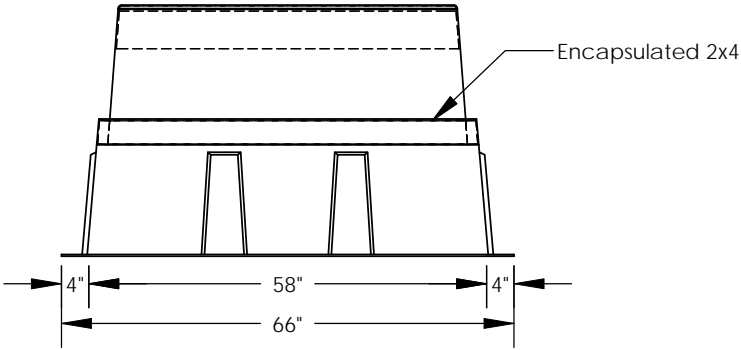
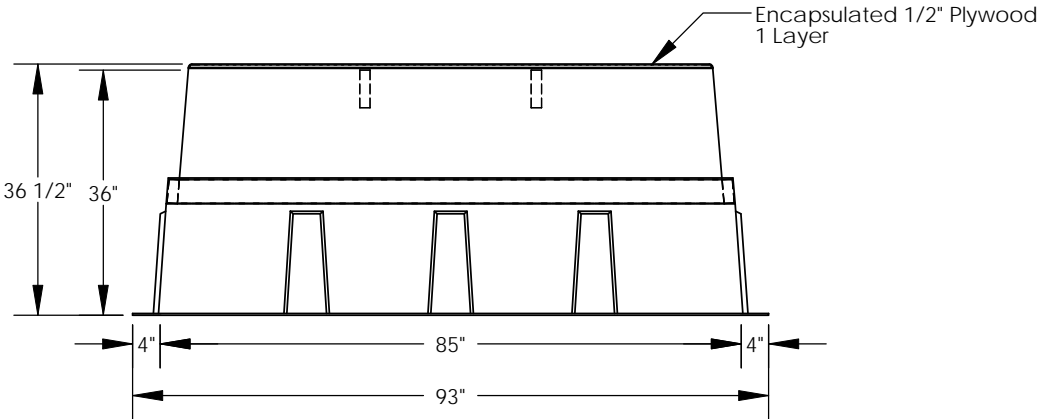
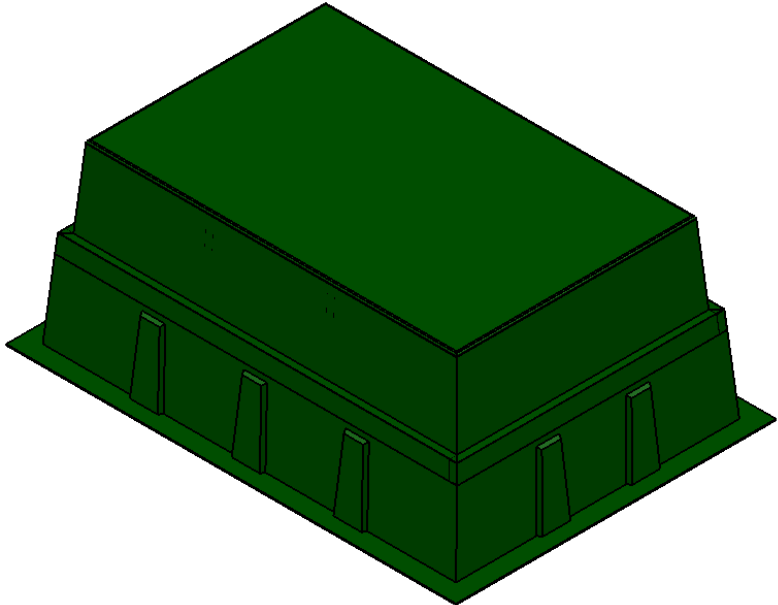
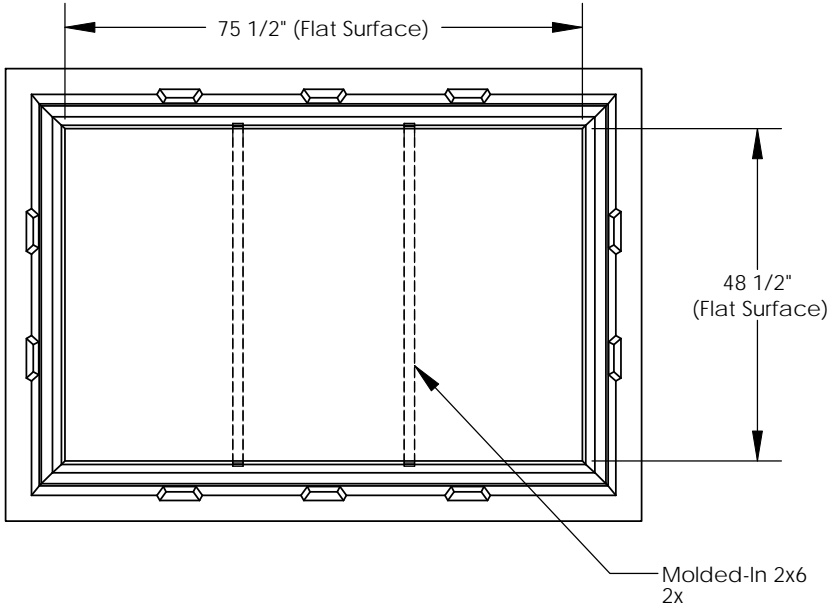


| REVISIONS | | | |
|-----------|-------------|------|----------|
| REV. | DESCRIPTION | DATE | APPROVED |
| | | | |



PROPRIETARY AND CONFIDENTIAL
 THE INFORMATION CONTAINED IN THIS DRAWING IS THE SOLE PROPERTY OF
 NORDIC FIBERGLASS, INC. ANY REPRODUCTION IN PART OR AS A WHOLE
 WITHOUT THE WRITTEN PERMISSION OF NORDIC FIBERGLASS, INC. IS PROHIBITED.

| | | |
|---------------------------|--------|----------|
| Customer Name: N/A | | |
| DIMENSIONS ARE IN INCHES | | |
| TOLERANCES: ANGLES ± 1° | | |
| FRACTIONAL ± 1/2 | | |
| ONE PLACE DECIMAL ±.060 | | |
| TWO PLACE DECIMAL ±.030 | | |
| THREE PLACE DECIMAL ±.015 | | |
| MATERIAL | | |
| DRAWN | R.L.J. | 06/29/09 |
| CHECKED | --- | --/--/-- |

Nordic Fiberglass, Inc.
 21415 US Hwy 75 NW, Warren, MN 56762
 www.nordicfiberglass.com
 218-745-5095 ph. --- 218-745-4990 fax

| | | |
|---------------------|--------------|---------------|
| GS-75-47-36RT-2O-MG | | |
| SIZE | ITEM ID: | REV. |
| A | 01746.00 | REL-01 |
| SCALE:1:32 | SHEET 1 OF 1 | |