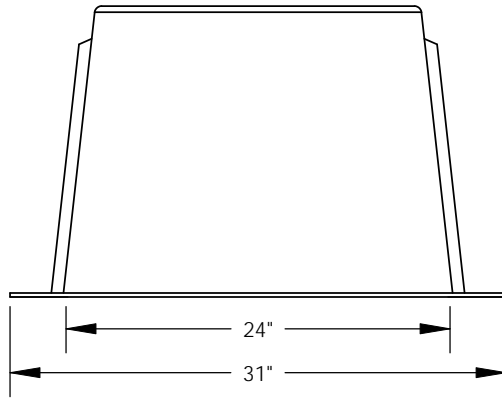
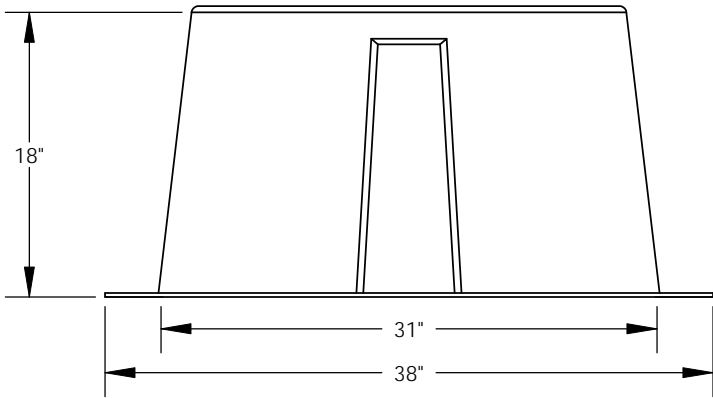
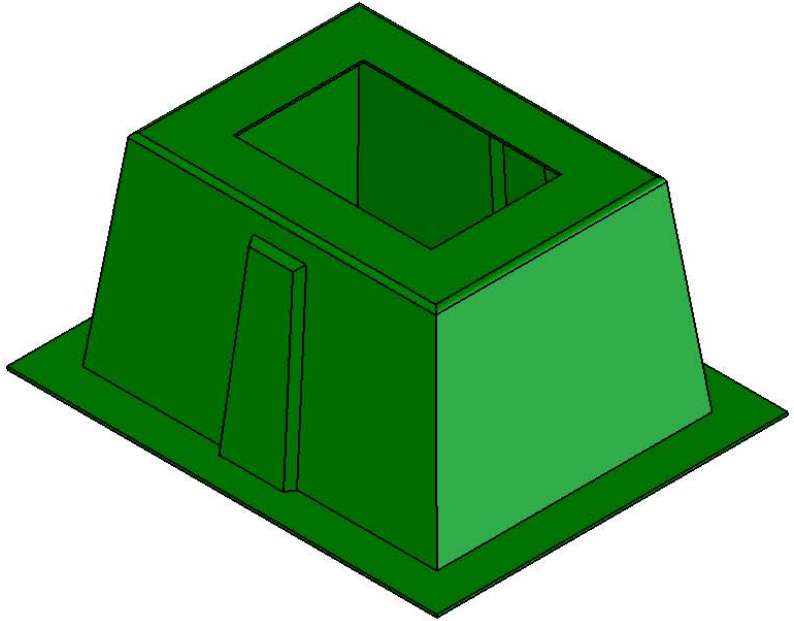
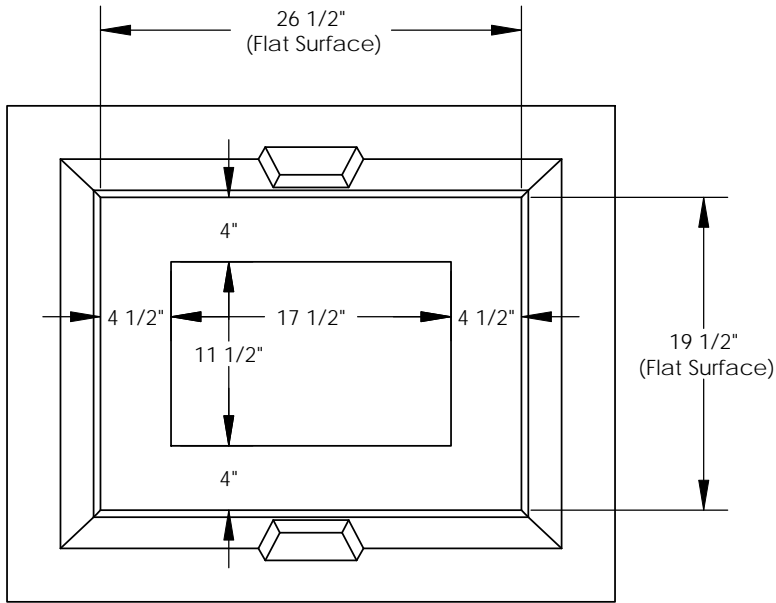


REVISIONS			
REV.	DESCRIPTION	DATE	APPROVED
REL-01		7/10/2007	



NOTE:
Includes (4) 3/8x1.5 SST Hex Bolts,
(4) 3/8 SST Hex Nuts, (8) 3/8 SST Flat
Washers, (4) 1/2 SST Flat Washers

Nordic Fiberglass, Inc.

21415 US Hwy 75 NW, Warren, MN 56762
www.nordicfiberglass.com
218-745-5095 ph. --- 218-745-4990 fax

GS-27-20-18M-MG-17.5x11.5

PROPRIETARY AND CONFIDENTIAL
THE INFORMATION CONTAINED IN THIS DRAWING IS THE SOLE PROPERTY OF
NORDIC FIBERGLASS, INC. ANY REPRODUCTION IN PART OR AS A WHOLE
WITHOUT THE WRITTEN PERMISSION OF NORDIC FIBERGLASS, INC. IS PROHIBITED.

Customer Name: N/A		
DIMENSIONS ARE IN INCHES TOLERANCES: ANGLES $\pm 1^\circ$ FRACTIONAL $\pm 1/2$ ONE PLACE DECIMAL $\pm .060$ TWO PLACE DECIMAL $\pm .030$ THREE PLACE DECIMAL $\pm .015$		
MATERIAL		
DRAWN	NAME	DATE
P.J.W.		07/10/07
CHECKED		

SIZE	ITEM ID:	REV.
A	00430.00	REL-01
SCALE:1:12		SHEET 1 OF 1