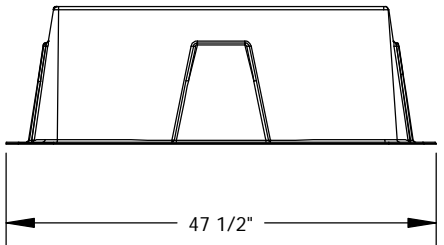
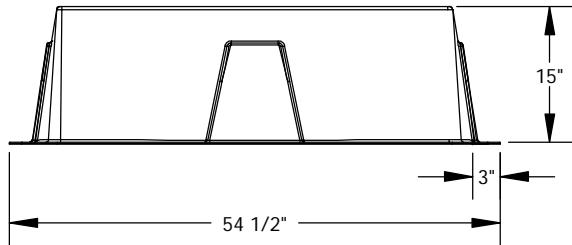
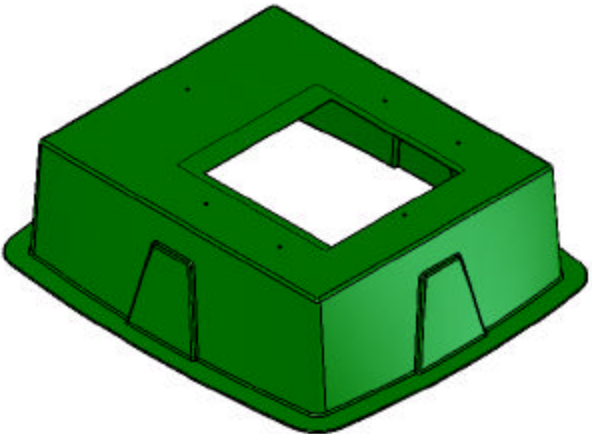
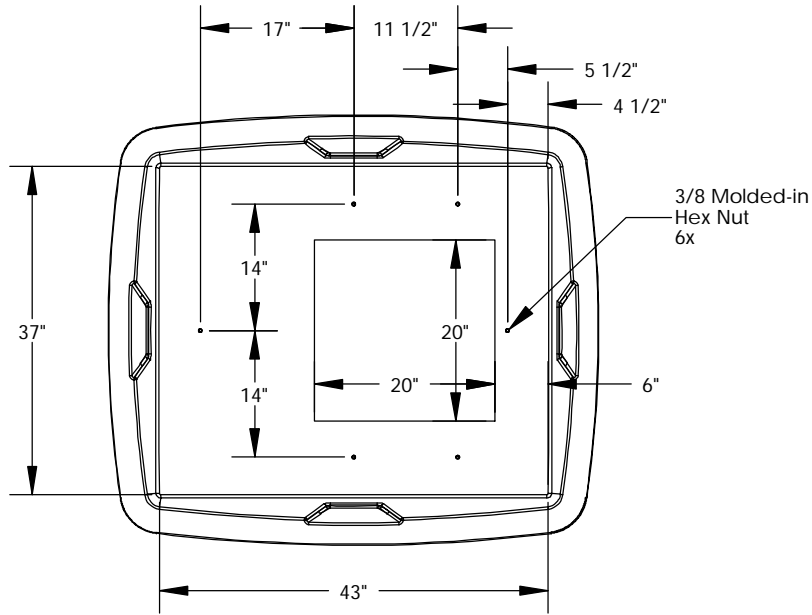


REVISIONS			
REV.	DESCRIPTION	DATE	APPROVED
REL-01		11/8/2005	



PROPRIETARY AND CONFIDENTIAL
 THE INFORMATION CONTAINED IN THIS DRAWING IS THE SOLE PROPERTY OF NORDIC FIBERGLASS, INC. ANY REPRODUCTION IN PART OR AS A WHOLE WITHOUT THE WRITTEN PERMISSION OF NORDIC FIBERGLASS, INC. IS PROHIBITED.

Nordic Fiberglass, Inc.
 21415 US Hwy 75 NW, Warren, MN 56762
 www.nordicfiberglass.com
 218-745-5095 ph. ... 218-745-4990 fax

Customer Name: N/A		
DIMENSIONS ARE IN INCHES		
TOLERANCES: ANGLES ± 1°		
FRACTIONAL ± 1/2		
ONE PLACE DECIMAL ± .060		
TWO PLACE DECIMAL ± .030		
THREE PLACE DECIMAL ± .015		
MATERIAL		
DRAWN	NAME	DATE
	P.J.W.	11/07/05
CHECKED		

CBP-37-43-15B-MG-20X20		REV.	REL-01+
SIZE	ITEM ID:	00157.00	
A			
SCALE: 1:20			SHEET 1 OF 1