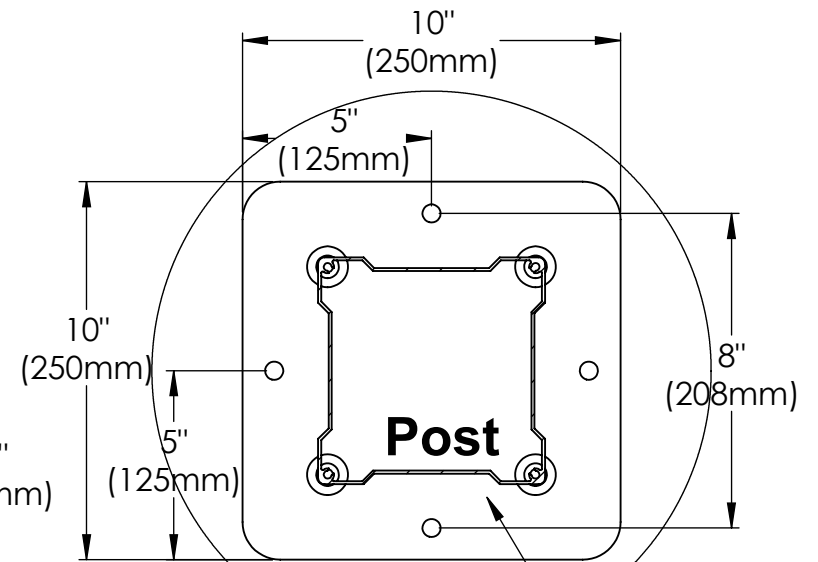
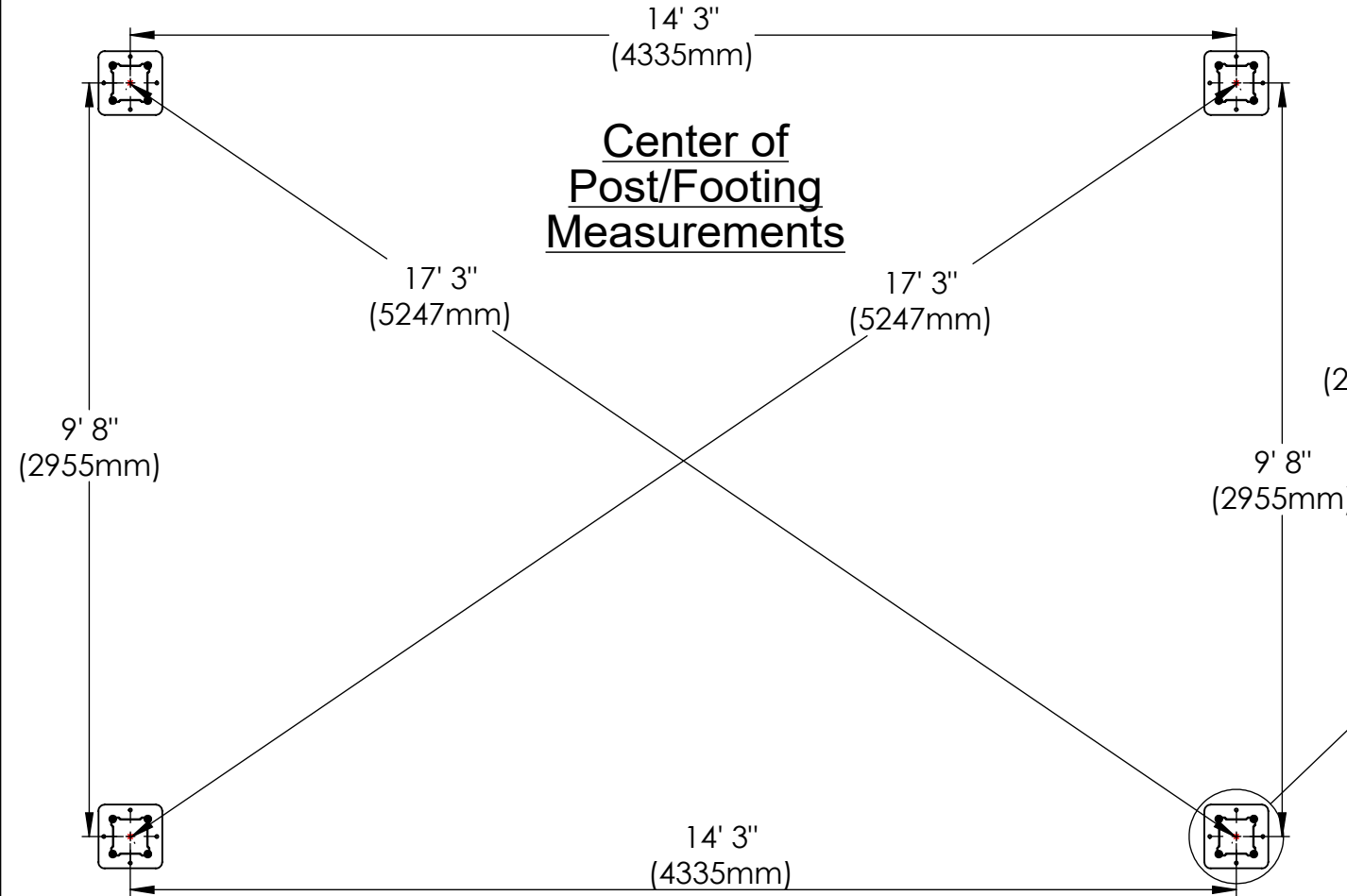


**Center of
Post/Footing
Measurements**



Post Detail