



Best H Flow Control Ltd
www.topflowcontrol.com

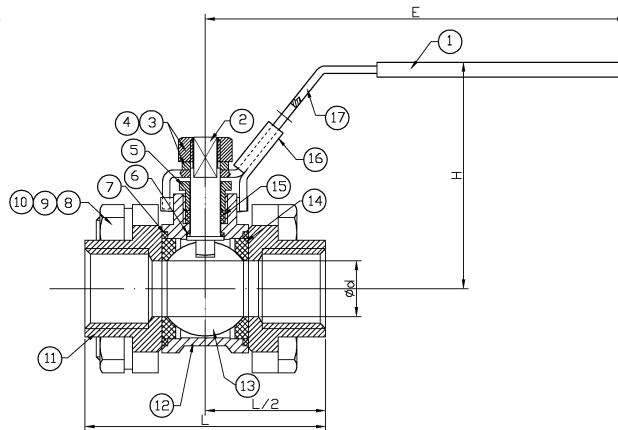
3PC BALL VALVE

Suite 140,700 Third Line, Oakville, ON L6L 4B1, Canada



FEATURES:

- o 1000PSI/PN63
- o Full Port
- o Investment Casting
- o Blow-out Proof Stem
- o Locking Device Handle(Optional)
- o PED97/23/EC Approved
- o Casting Approved AD2000-W0
- o Thread:ASME B1.20.1,BS21,DIN2999/259
- o ISO228-1,JIS B 0203,ISO7/1
- o Inspection Testing:API598,EN12266



ITEM	DESIGNATION	MATERIAL
1	PLASTIC COVER	PLASTIC
2	HANDLE	304
3	GLAND NUT	304
4	STEM NUT	304
5	THRUST WASHER	304
6	STEM PACKING	PTFE
7	STEM SEAL	PTFE
8	CAP	CF8/CF8M
9	BOLT	304
10	NUT	304
11	THRUST WASHER	304
12	BODY	CF8/CF8M
13	SEAT	RPTFE
14	BALL	CF8/CF8M
15	STEM	304/316

SIZE	1/4"	3/8"	1/2"	3/4"	1"	1 1/4"	1 1/2"	2"	2 1/2"	3"	4"
d	11	12.5	15	20	25	32	38	50	65	76	94
D	15.3	17.2	22	27.5	34	43	50	62	77	90	108
H	48	48	50	56	67	72	93	101	118	128	168
W	105	105	105	126	144	144	189	189	224	224	298
L	63	63	63	80	88	97	113	134	170	190	242

+ 1-289-351-0977

TopFlowControl@gmail.com

BEST H FLOW CONTROL LTD