



Best H Flow Control Ltd  
www.topflowcontrol.com

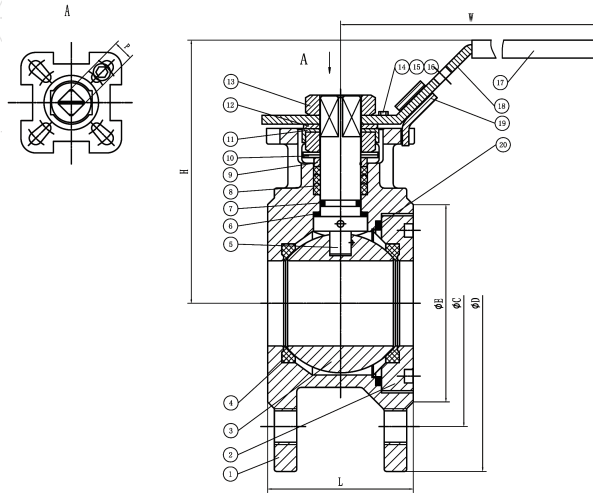
## 1PC WAFER FLANGED BALL VALVE

Suite 140,700 Third Line, Oakville, ON L6L 4B1, Canada



### FEATURES:

- o PN16
- o Full Port
- o Investment Casting
- o Blow-out Proof Stem
- o ISO5211 Mounting Pad
- o Lockable Device Handle
- o PED97/23/EC Approved
- o Casting Approved AD2000-W0
- o Design:EN12516
- o Flange Standard:DIN2542-DIN2545
- o Inspection Testing:DIN3230,EN12266



ITEM	DESIGNATION	MATERIAL
1	BODY	1.4408
2	CAP	1.4408
3	BALL	CF8M
4	SEAT	PTFE+15%GF
5	STEM	316
6	GASKET	PTFE
7	O-RING	VITON
8	STEM PACKING	PTFE
9	GLAND	304
10	BELLEVILLE WASHER	301
11	LOCKING WASHERS	304
12	GASKET	304
13	NUT	304
14	HEXAGON CAP SCREWS	304
15	GASKET	304
16	NUT	304
17	HANDLE COVER	PVC
18	HANDLE	304
19	LOCKING	304
20	GASKET	PTFE

SIZE	1/2"	3/4"	1"	1 1/4"	1 1/2"	2"	2 1/2"	3"	4"
L	42	44	50	60	65	80	110	120	150
H	81	86	99	109	117	125	150	158	193
W	141	141	162	162	188	188	233	233	318
P	9	9	11	11	14	14	17	17	22
C	65	75	85	100	110	125	145	160	180
D	95	105	115	140	150	165	185	200	220
E	45	58	68	78	88	102	122	138	158
ISO5211	F03/F04	F03/F04	F04/F05	F04/F05	F05/F07	F05/F07	F07/F10	F07/F10	F10

+1-289-351-0977



BEST H FLOW  
CONTROL LTD

