



Best H Flow Control Ltd
www.topflowcontrol.com

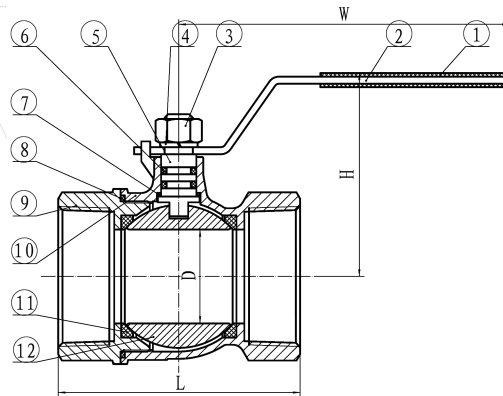
2PC REDUCE BALL VALVE

Suite 140,700 Third Line, Oakville, ON L6L 4B1, Canada



FEATURES:

- o 1000PSI/PN63
- o Reduce Port
- o Investment Casting
- o Blow-out Proof Stem
- o PED97/23/EC Approved
- o Casting Approved AD2000-W0
- o Inspection Testing:API598,EN12266



ITEM	DESIGNATION	MATERIAL
1	PLASTIC COVER	PLASTIC
2	HANDLE	304
3	STEM NUT	304
4	THRUST WASHER	304
5	STEM	304/316
6	O-RING	NBR/VITON
7	STEM SEAL	PTFE
8	BODY SEAL	PTFE
9	CAP	CF8/CF8M
10	BODY	CF8/CF8M
11	SEAT	RPTFE
12	BALL	CF8/CF8M

SIZE	1/2"	3/4"	1"	1 1/4"	1 1/2"	2"	2 1/2"	3"
D	10	15	20	25	32	40	50	65
H	50	55	62	67	81	86	105	118
W	106	106	127	127	158	158	167	200
L	52	58	66	79	89.5	102	132	154

+ 1-289-351-0977

TopFlowControl@gmail.com

BEST H FLOW CONTROL LTD