



Best H Flow Control Ltd
www.topflowcontrol.com

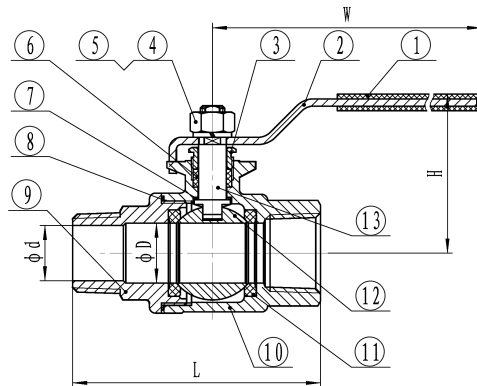
2PC BALL VALVE MF

Suite 140,700 Third Line, Oakville, ON L6L 4B1, Canada



FEATURES:

- o 1000PSI/PN63
- o Full Port
- o Investment Casting
- o Blow-out Proof Stem
- o Locking Device Handle(Optional)
- o PED97/23/EC Approved
- o Casting Approved AD2000-W0
- o Thread:ASME B1.20.1,BS21,DIN2999/259
- o ISO228-1,JIS B 0203,ISO7/1
- o Inspection Testing:API598,EN12266



| ITEM | DESIGNATION | MATERIAL |
|------|---------------|----------|
| 1 | HANDLE COVER | PLASTIC |
| 2 | HANDLE | 304 |
| 3 | GLAND NUT | 304 |
| 4 | STEM NUT | 304 |
| 5 | THRUST WASHER | 304 |
| 6 | STEM PACKING | PTFE |
| 7 | STEM SEAL | PTFE |
| 8 | BODY SEAL | PTFE |
| 9 | CAP | CF8/CF8M |
| 10 | BODY | CF8/CF8M |
| 11 | SEAT | RPTFE |
| 12 | BALL | CF8/CF8M |
| 13 | STEM | 304/316 |

| SIZE | 3/8" | 1/2" | 3/4" | 1" | 1 1/4" | 1 1/2" | 2" |
|------|------|------|------|-----|--------|--------|-------|
| D | 12.5 | 15 | 20 | 25 | 32 | 38 | 50 |
| d | 10.5 | 13.6 | 18.2 | 23 | 31 | 36 | 48 |
| W | 103 | 103 | 126 | 144 | 144 | 190 | 190 |
| H | 48 | 50 | 57 | 67 | 72 | 93 | 100 |
| L | 60 | 78.5 | 88.5 | 100 | 110.5 | 121 | 141.5 |

+ 1-289-351-0977

TopFlowControl@gmail.com

BEST H FLOW CONTROL LTD