



Best H Flow Control Ltd
www.topflowcontrol.com

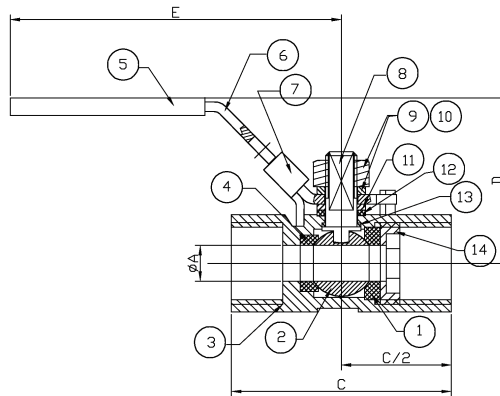
1PC BALL VALVE

Suite 140,700 Third Line, Oakville, ON L6L 4B1, Canada



FEATURES:

- o 1000PSI/PN63
- o Full Port
- o Investment Casting
- o Blow-out Proof Stem
- o Locking Device Handle(Optional)
- o PED97/23/EC Approved
- o Casting Approved AD2000-W0
- o Thread:ASME B1.20.1,BS21,DIN2999/259
- o ISO228-1,JIS B 0203,ISO7/1
- o Inspection Testing:API598,EN12266



ITEM	DESIGNATION	MATERIAL
1	JOINT GASKET	PTFE
2	BALL	CF8/CF8M
3	BODY	CF8/CF8M
4	SEAT	PTFE
5	HANDLE COVER	PLASTIC
6	HANDLE	304
7	LOCK DEVICE	304
8	STEM	304/316
9	STEM NUT	304
10	STEM WASHER	304
11	GLAND NUT	304
12	STEM PACKING	PTFE
13	THRUST WASHER	PTFE
14	BODY INSERT	CF8/CF8M

SIZE	1/4"	3/8"	1/2"	3/4"	1"	1 1/4"	1 1/2"	2"
A	5.0	7.0	9.2	12.8	15	20	25	32
C	32	44	56.5	59	71	78	83	99
D	31	34	40	43	49.5	54	62.5	66
E	65	88	95	100	110	110	140	140

+ 1-289-351-0977

TopFlowControl@gmail.com

BEST H FLOW CONTROL LTD

