



Best H Flow Control Ltd
www.topflowcontrol.com

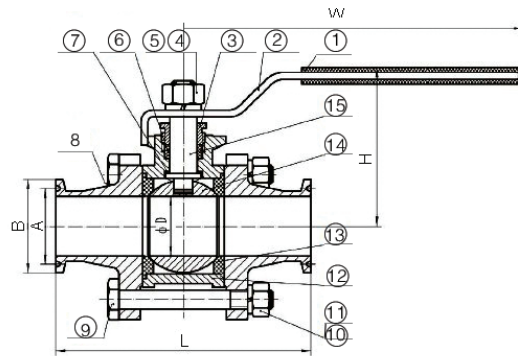
3PC BALL VALVE-CLAMPED END

Suite 140,700 Third Line, Oakville, ON L6L 4B1, Canada



FEATURES:

- o 1000PSI/PN63
- o Full Port
- o Investment Casting
- o Blow-out Proof Stem
- o Locking Device Handle(Option)
- o PED97/23/EC Approved
- o Casting Approved AD2000-W0
- o Clamp End: ISO2852-1993
- o Inspection Testing:API598,EN12266



ITEM	DESIGNATION	MATERIAL
1	PLASTIC COVER	PLASTIC
2	HANDLE	SUS304
3	GLAND NUT	SUS304
4	STEM NUT	SUS304
5	THRUST WASHER	SUS304
6	STEM PACKING	PTFE
7	SEAL	PTFE
8	CAP	CF8/CF8M
9	BOLT	SUS304
10	NUT	SUS304
11	THRUST WASHER	SUS304
12	BODY	CF8/CF8M
13	SEAT	RPTFE
14	BALL	CF8/CF8M
15	STEM	SUS304

SIZE	1/2"	3/4"	1"	1 1/2"	2"	1 1/2"	3"	4"
D	9.6	16	22.5	35	47	60	72	97
A	27.5	27.5	43.5	43.5	56.5	70.5	83.5	110
B	34	34	50.5	50.5	64	77.7	91	119
H	50	56	67	93	101	118	128	168
W	105	126	144	189	189	224	224	298
L	90	90	100	125	150	190	220	270

+ 1-289-351-0977

TopFlowControl@gmail.com

BEST H FLOW CONTROL LTD