



Best H Flow Control Ltd
www.topflowcontrol.com

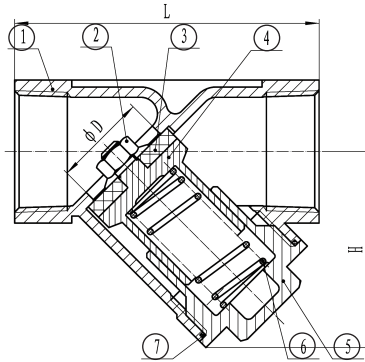
Y SPRING CHECK VALVE

Suite 140,700 Third Line, Oakville, ON L6L 4B1, Canada



FEATURES:

- o 800PSI/PN40
- o Investment Casting
- o PED97/23/EC Approved
- o Casting Approved AD2000-W0
- o Thread:ASME B1.20.1,BA21,DIN2999/259
- o ISO228-1,JIS B 0203,ISO7/1
- o Inspection Testing:API598,EN12266



ITEM	DESIGNATION	MATERIAL
1	BODY	CF8/CF8M
2	NUT	304
3	DISC SEAT	PTFE
4	DISC	CF8/CF8M
5	BONNET	CF8/CF8M
6	SPRING	304
7	GASKET	PTFE

SIZE	1/4"	3/8"	1/2"	3/4"	1"	1 1/4"	1 1/2"	2"	2 1/2"	3"
D	12	12	15	20	25	32	40	50	65	76
H	42	42	42	53	67	67	78	91	120	135
L	65	65	65	80	90	105	120	138	183	198

+ 1-289-351-0977

TopFlowControl@gmail.com

BEST H FLOW CONTROL LTD