



Best H Flow Control Ltd
www.topflowcontrol.com

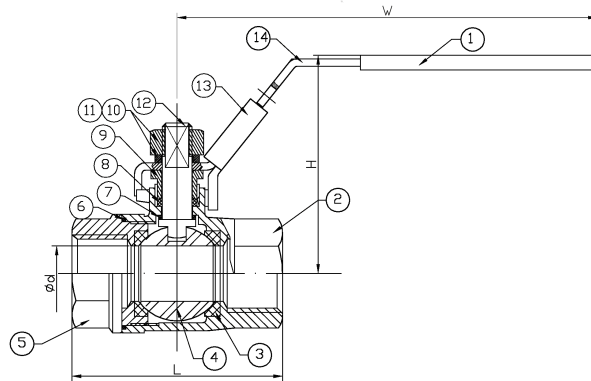
2PC BALL VALVE 2000WOG

Suite 140,700 Third Line, Oakville, ON L6L 4B1, Canada



FEATURES:

- o 2000PSI
- o Full Port
- o Investment Casting
- o Blow-out Proof Stem
- o Locking Device Handle(Optional)
- o PED97/23/EC Approved
- o Casting Approved AD2000-W0
- o Thread:ASME B1.20.1,BS21,DIN2999/259
- o ISO228-1,JIS B 0203,ISO7/1
- o Inspection Testing:API598,EN12266



ITEM	DESIGNATION	MATERIAL
1	HANDLE COVER	PLASTIC
2	BODY	CF8/CF8M
3	BALL SEAT	PTFE
4	BALL	CF8/CF8M
5	CAP	CF8/CF8M
6	JOINT GASKET	PTFE
7	THRUST WASHER	PTFE
8	STEM PACKING	PTFE
9	GLAND NUT	304
10	SPRING WASHER	304
11	STEM NUT	304
12	STEM	304/316
13	LOCK DEVICE	304
14	HANDLE	304

SIZE	1/4"	3/8"	1/2"	3/4"	1"	1 1/4"	1 1/2"	2"	2 1/2"	3"	4"
d	11.6	12.8	15	20	25	32	38	50	65	76	94
L	48.5	48.5	57	68	80	91	103	124	157	180	222
H	48	48	58	61	77	81	90	108	130	142	180
W	91	91	115	115	128	128	155	155	203	230	335

+ 1-289-351-0977

TopFlowControl@gmail.com

BEST H FLOW CONTROL LTD