

2/4/5 Megapixel H.265 Motorized Pro Dome Network Camera



IP67 + IK10

Motorized Lens

MS-C2872-(R)F(I)PB/MS-C2972-(T)(R)F(I)PB/
MS-C4472-F(I)PB/MS-C5372-(H)F(I)PB

Armsec

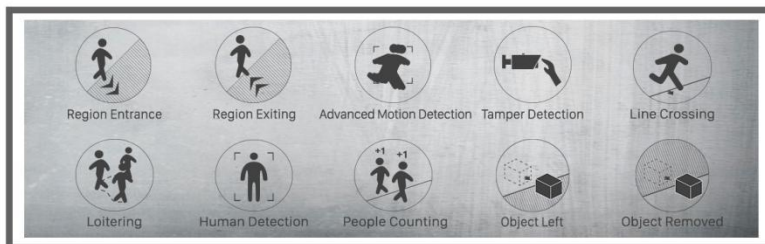
DATASHEET

KEY FEATURES

- ▶ **Smart Stream** (Bandwidth, storage and bit rate are saved with Smart Stream On, eg, H.265+ saves 70%~80% bandwidth that of H.264.)
- ▶ **Smart IR II** (Combining the High Beam and Low Beam to adjust IR intensity to fit different lighting conditions.)
- ▶ **140dB Super WDR** (Excellent performance even when the ratio of the luminosity of brightest and darkest is up to 140dB)
- ▶ **P-Iris** (Giving you a more clear scene with depth of view.)
- ▶ **Advanced Functions** (Boasting to support various advanced functions such as HLC, Defog, ROI.)
- ▶ **SIP** (Session Initiation Protocol. Providing audio/alarm/intercom and video streaming for mobile phones and video phones.)
- ▶ **256G** (Supporting ultra-large external microSD/SDHC/SDXC card storage up to 256G.)

Video Content Analysis

Milesight VCA with 10 detection modes provides advanced, accurate smart video analysis for Milesight network cameras, enabling the comprehensive surveillance function and quicker response to different monitoring scenes.

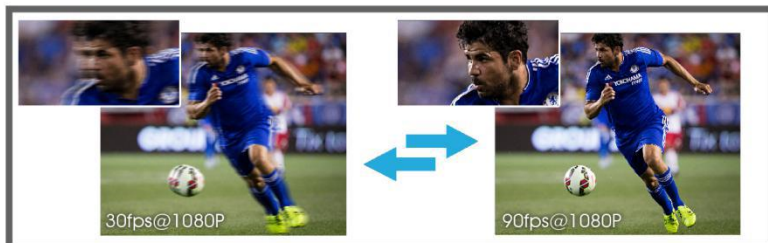


0.001Lux Ultra Low-light

The starlight camera is able to deliver high detailed color images even in low light environment reaching 0.001Lux (Color) or 0Lux(B/W), and near infrared light environments without any supplementary lighting.

90fps

The high frame rate up to 90fps@1080P resolution, which triples the number of frames offered by conventional HD network cameras. It enable Milesight cameras to capture real-time and low-latency images of fast moving objects clearly.



3 in 1 Super WDR Pro - 140dB

Milesight upgraded 3 in 1 Super WDR Pro outputs three frames each line, which is able to bring more details especially moving subjects. What's more, it greatly improves image quality for reducing smear and noisy points. The ratio that the brightest light signal values divided by the darkest light signal values is up to 140dB.

H.265 Motorized Pro Dome Network Camera

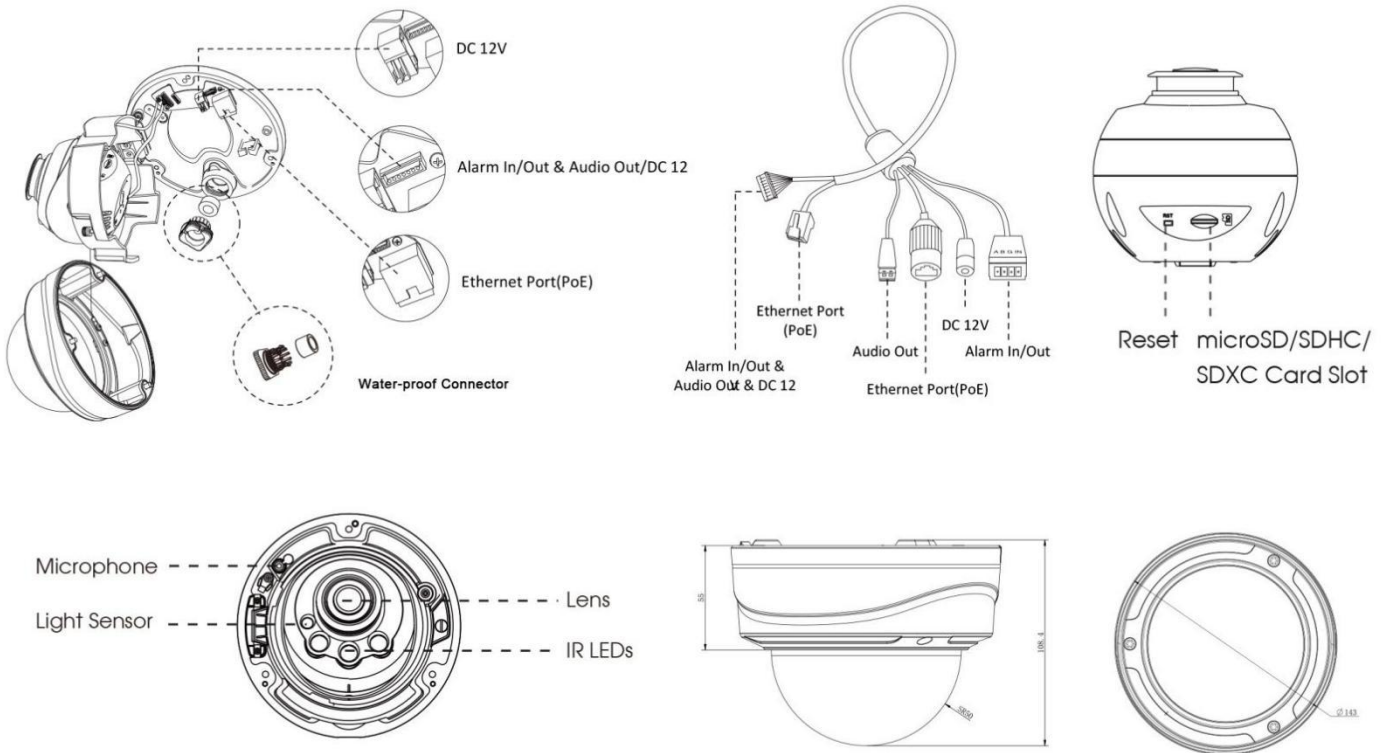


	Model	MS-C2872-(R)F(I)PB (2MP)	MS-C2972-(T)(R)F(I)PB (2MP)	MS-C4472-F(I)PB (4MP)	MS-C5372-(H)F(I)PB (5MP)	
Camera	Image Sensor	1/2" Progressive Scan CMOS	1/2.8" Progressive Scan CMOS	1/3" Progressive Scan CMOS	1/2.8" Progressive Scan CMOS	
	Min. Illumination	Color: 0.001Lux@F1.2 B/W: 0Lux with IR on	Color: 0.002Lux@F1.2 B/W: 0Lux with IR on	Color: 0.008Lux@F1.2 B/W: 0Lux with IR on	Color: 0.005Lux@F1.2 B/W: 0Lux with IR on	
	WDR	140dB Super WDR	140dB Super WDR (Super WDR Pro is optional for T Series)	120dB Super WDR		
	Lens	Motorized 3.6~10mm @F1.4 P-Iris(Optional)	Motorized 3.0~10.5mm/2.7~13.5mm/2.8~12mm/7~22mm @F1.4 P-Iris(Optional)			
	Mount	Φ14				
	Field of View	H96°~H42°/ D111°~D48°/ V55°~V23°	H93°~H33°/D107°~D38° /V52°~V18° (3.0~10.5m) H92°~H32°/D107°~D37° /V51°~V18° (2.7~13.5mm) H40°~H16°/D46°~D19° /V23°~V9° (7~22mm)	H85°~H30°/D99°~D35° /V48°~V17°(3.0~10.5mm) H76°~H31°/D88°~D36° /V45°~V18° (2.8~12mm) H36°~H15°/D41°~D17° /V22°~V8° (7~22mm)	H90°~H31°/D114°~D38° /V67°~V23°(3.0~10.5mm) H89°~H30°/D111°~D37° /V66°~V22° (2.7~13.5mm) H37°~H15°/D47°~D19° /V28°~V11° (7~22mm)	
	Shutter Time	1/100000s~1s				
	IR Distance	Up to 50m				
	Day&Night S/N	ICR Filter Auto Switch >55dB				
	Video	Max. Image Resolution	1920x1080		2592x1520	2592x1944
Primary Stream		60fps@(1920x1080) (Optional for R Series), 30fps@(1920x1080, 1280x960, 1280x720, 704x576)	90fps@(1920x1080) (Optional for T Series), 60fps@(1920x1080) (Optional for R Series), 30fps@(1920x1080, 1280x960, 1280x720,704x576)	20fps@(2592x1520), 30fps@(2304x1296, 1920x1080, 1280x960, 1280x720, 704x576)	30fps@(2592x1944) (Optional for H Series), 20fps@(2592x1944), 30fps@(1920x1080, 1280x960, 1280x720, 704x576)	
Secondary Stream		30fps@(704x576, 640x480, 640x360, 352x288, 320x240, 320x192, 320x176)				
Tertiary Stream		30fps@(1920x1080, 1280x720, 704x576, 640x480, 640x360, 320x240, 320x192, 320x176)				
Video Compression		H.265+/H.265(HEVC)/H.264+/H.264/MJPEG				
Video Bit Rate		16Kbps~16Mbps(CBR/VBR Adjustable)				
Image Setting		Brightness/Contrast/Saturation/Sharpness				
Network	Ethernet	1*RJ45 10M/100M Ethernet Port				
	Network Storage	NAS(Support NFS, SMB/CIFS)				
	Protocol	IPv4/IPv6, TCP, UDP, RTP, RTSP, RTCP, HTTP, HTTPS, DNS, DDNS, DHCP, FTP, NTP, SMTP, SNMP, UPnP, SIP, PPPoE, VLAN, 802.1x, QoS, IGMP, ICMP, SSL				
Audio	Audio Compression	G.711/AAC				
	Audio I/O	Built-in Microphone and 1 Audio Output interface				
System	Alarm I/O	1/1				
	Storage	Support microSD/SDHC/SDXC Card Local Storage, up to 256G				
	Advanced Function	Privacy Masking, BLC, HLC, 2D DNR, 3D DNR, ROI, Defog, AWB, EIS, IP Address Filtering, AGC, Anti-flicker, Corridor Mode				
	SIP/VoIP Support	Yes, Voice & Video-over-IP				
	Event Trigger	Motion Detection, Network Disconnection, Audio Alarm, External Input, etc.				
	Event Action	FTP Upload, SMTP Upload, SD Card Record, External Output, SIP Phone, HTTP Notification, etc.				
	Video Analysis (Optional)	Region Entrance, Region Exiting, Advanced Motion Detection, Tamper Detection, Line Crossing, Loitering, Human Detection, People Counting, Object Left, Object Removed				
System Compatibility	ONVIF Profile S & G					
General	Working Temperature	-40°C~60°C				
	Working Humidity	0~90%(Non-condensing)				
	Power Supply	PoE (802.3af)/ DC 12V±10%				
	Power Consumption	8W MAX 12W MAX (With IR on)				
	Housing	Vandal-proof IK10-rated Metal Housing / Up to IP67-rated for Weather-resistant Performance				
	Weight	1100g				
	Dimensions	Φ143mmX108.4mm				
Warranty	3/5 Years					

H.265 Motorized Pro Dome Network Camera



Structure Diagrams



Units: mm

Accessories Support

A01 Pole Mount

Weight: 720g
Dimensions: 170*51.5*152.6mm



A02 Internal Corner Bracket

Weight: 540g
Dimensions: 170*23.2*205.3mm



A03 External Corner Bracket

Weight: 900g
Dimensions: 170*152.6*76.3mm



A72 Wall Mount

Weight: 560g
Dimensions: 240*160*136mm



AC-72 Smoked Dome Cover

For concealing where a camera is pointed



A75 Junction Box

Weight: 200g
Dimensions: 155.5*167*33.5mm



A76 Pendant Mount

Weight: 620g
Dimensions: 136*L (L is default as 300mm, also can be extended with A76-L)



A76-L Extension Lever

Weight: 315g
Dimensions: 34*300mm



Naming Convention



Milesight Technology Co.,Ltd. | www.milesight.com

Contact Us: sales@milesight.com support@milesight.com

Add: 220 NE 51st Street, Oakland Park, Florida 33334, USA
Tel: +1-800-561-0485

Add: 925, Anyang SK V1 Center, LS-ro 116beon-gil, Dongan-gu, Anyang-si, Korea
Tel: +82-31-990-7772

Add: No.23 Wanghai Road, 2nd Software Park, Xiamen, China
Tel: +86-592-5922772

