

Submittal Data Sheet



PD Series

PVC Duct Systems for Light Commercial VRF & Industrial Linesets

Project Information:

Job Name:

Location:

Engineer:

Submitted to:

For: Reference Approval Construction

Submitted by:

Reference:

Submittal Information:

Approval:

Date:

Construction:

Unit #:

Drawing #:

(Section 1) Product Specifications

Application Offset from vertical or horizontal surface

Temperature Range -4°F to 140°F (surface temperature)

Material Fire resistant & UV stable rigid PVC

Color Ivory

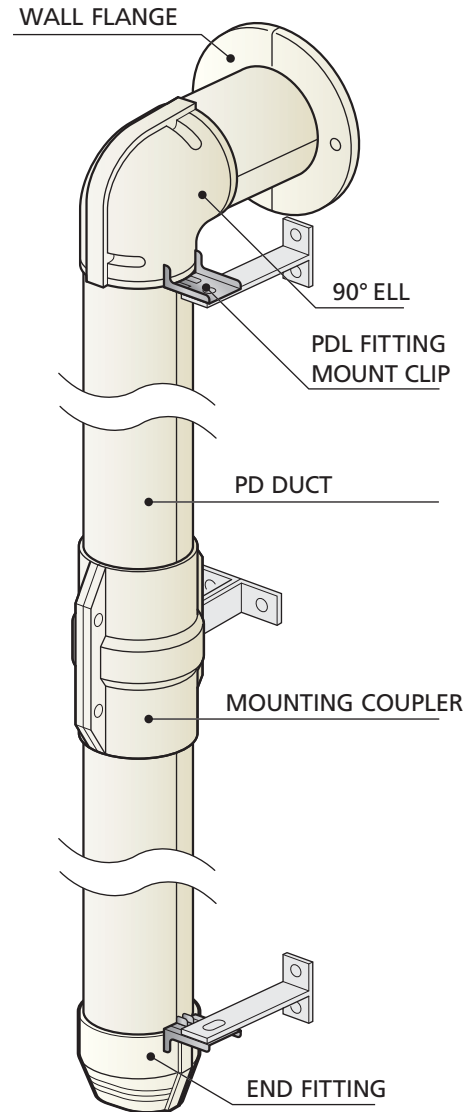
(Section 2) Maximum Lineset Combinations

Item No.	Matching Pipe Clamp Size ¹	Insulation Thickness		
		0.39" x 0.39" ²	0.39" x 0.78" ²	0.78" x 0.78" ²
PD-90	3.5" or less	Ø0.62" x Ø1.12"	Ø0.37" x Ø0.75"	—
PD-120	4.5" or less	Ø0.75" x Ø1.50"	Ø0.75" x Ø1.25"	Ø0.37" x Ø0.75"
PD-140	5.5" or less	Ø1.00" x Ø2.12" Ø0.75" x Ø1.25" (2 systems)	Ø0.87" x Ø1.75"	Ø0.75" x Ø1.25"

¹System is designed for use with pipe clamps sized for steel pipe. Pipe clamps sized for PVC pipe can also be used provided their OD is 3.5" or less.

²Lineset capacity mentioned is based on insulation thickness up to 0.75". For thicker insulation, reduce Lineset capacity accordingly.

(Figure 1) Product Images:



(Figure 2) Typical Installations:

