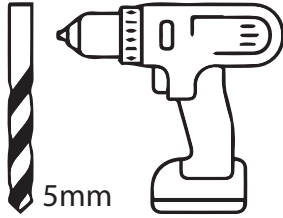




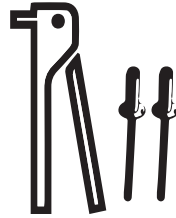
The Collar

Upgrade your EzyBrace to a handy storage size using The Collar.

Tools required:



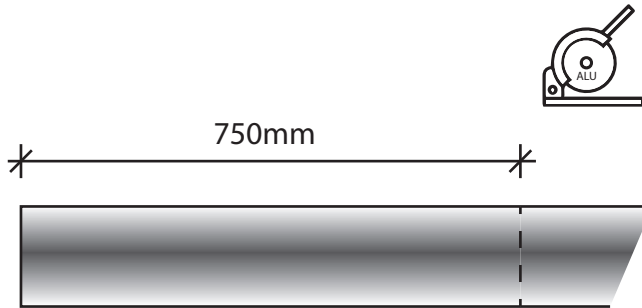
5mm



Rivet Gun
*Rivets included



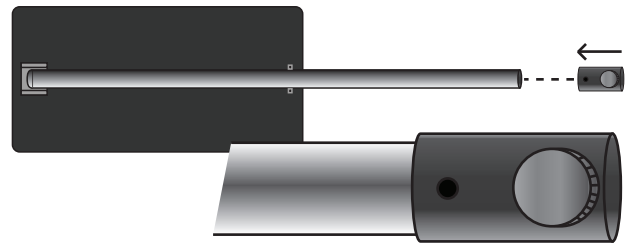
1.



750mm

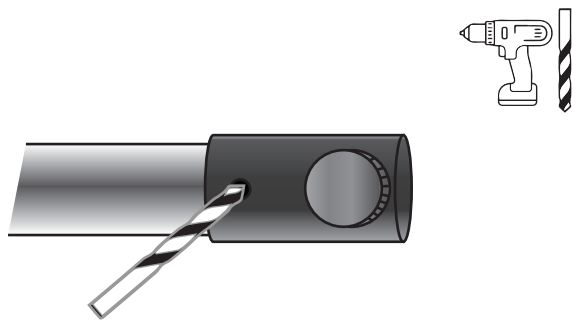
Cut brace bar in half

2.



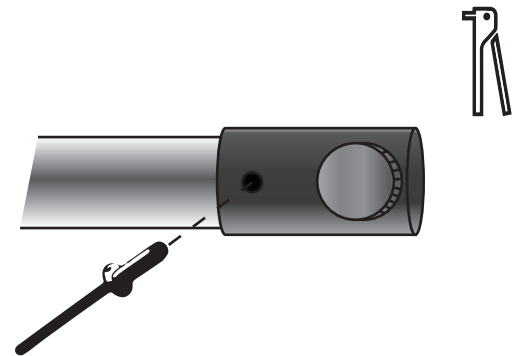
Cut brace bar in half, ensuring the Thumb Wheel is on the top side of the bracing bar. **This is crucial to the collar functioning correctly.**

3.



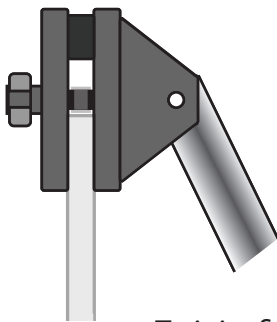
Drill 5mm holes, ensuring the Thumb Wheel is on the top side of the bracing bar

4.



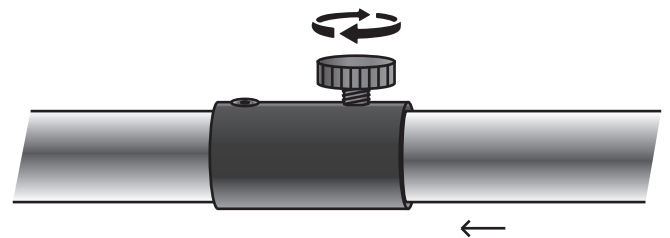
Rivet Collar to bar

5.



To join, first clamp head to glass

6.



Ensure base plate is flat on ground - do not over tighten



QUESTIONS? Call us, on 0455 335 872

ezybrace.com