

1000 PRIMO COLLECTION TOILET PAPER HOLDERS

STRAIGHT CLEAN LINES

sales@preferredbathinc.com

www.preferredbathinc.com

(336) 904-6248



TRADITIONAL TOILET PAPER HOLDER

- TRADITIONAL BUT MODERN STYLING
- SUPERIOR STRONG MOUNTING SYSTEM
- FOUR SCREWS INCLUDED FOR A STRONG SECURE INSTALLATION

PART NUMBERS FINISH

1008-PC-T POLISHED CHROME

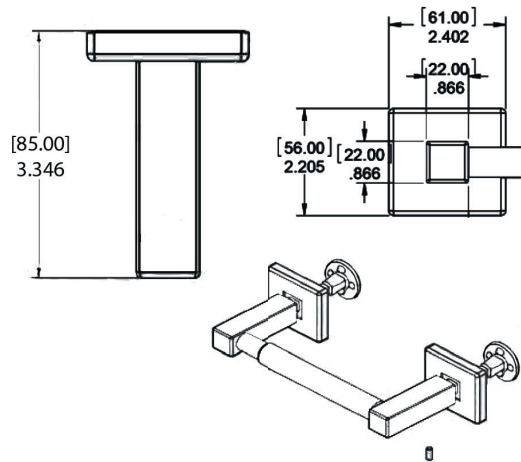
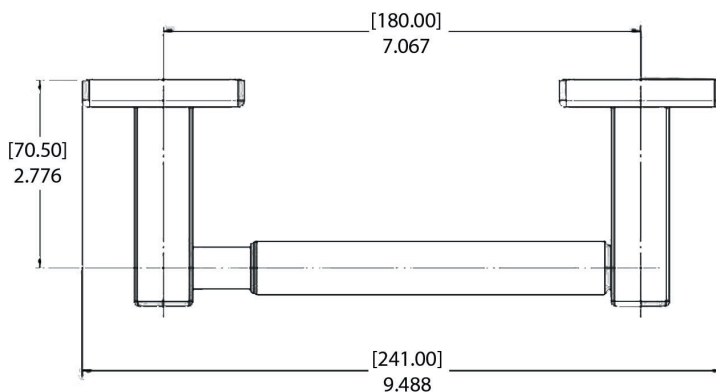
1008-BN-T BRUSHED NICKEL

1008-ORB-T OIL RUBBED BRONZE

HARDWARE INCLUDED

- ALUMINUM TOILET PAPER ROLLER - 1
- ALUMINUM WALL MOUNTING BRACKETS - 2
- ZINC DIE-CAST POSTS AND FLANGES- 2
- STAINLESS STEEL MOUNTING HARDWARE AND WALL ANCHORS INCLUDED

WALL MOUNTED



INSTALLATION:

Attach mounting bracket to wall with mounting screws. Slide flange and post over bracket and tighten set screw. Our mounting brackets are designed with horizontal and vertical adjustability to insure a proper level fit.

WOOD BLOCKING IS THE PREFERRED METHOD OF INSTALLATION



Limited Warranty:

Preferred Bath Accessories Inc. warrants to the purchaser that the product will be free from defects in material and workmanship. If the product does not comply with this warranty, Preferred Bath Accessories Inc. will repair or replace the product or, at Preferred Bath Accessories Inc's. option, refund the purchase price. The limited warranty period is for the lifetime of the product. Limitations on the Warranty: The warranty does not cover, normal wear and tear, product abuse, neglect, improper installation or maintenance. Purchaser Requirements: If this product does not meet Preferred Bath Accessories Inc's. warranty, return the product (postage prepaid) to the place of purchase with proof of purchase and a written claim briefly describing the defect. You may be required to provide other information or evidence of the defect.