

# 1000 PRIMO COLLECTION MITERED TOILET PAPER HOLDERS

**MODERN TRANSITIONAL**

sales@preferredbathinc.com  
www.preferredbathinc.com  
(336) 904-6248



## 304 STAINLESS STEEL

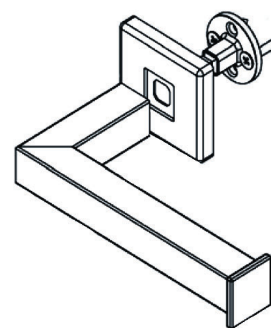
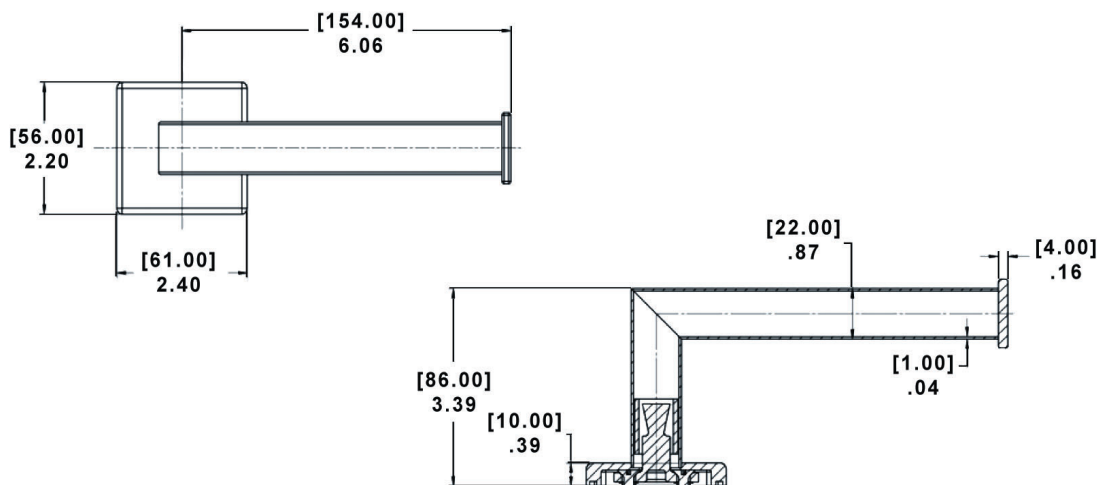
- 304 STAINLESS STEEL BAR
- WELDED MITERED CORNERS
- SUPERIOR STRONG MOUNTING SYSTEM
- TWO SCREWS INCLUDED FOR A STRONG SECURE INSTALLATION

## HARDWARE INCLUDED

- 304 STAINLESS STEEL TOILET PAPER ROLLER AND POST - 1
- ALUMINUM WALL MOUNTING BRACKET - 1
- ZINC DIE-CAST FLANGE - 1
- STAINLESS STEEL MOUNTING HARDWARE AND WALL ANCHORS INCLUDED

PART NUMBERS	FINISH
1008-PC-MV-E	Polished Chrome
1008-BN-MV-E	Brushed Nickel
1008-ORB-MV-E	Oil Rubbed Bronze

## WALL MOUNTED



## INSTALLATION:

Attach mounting bracket to wall with mounting screws. Slide flange and post over bracket and tighten set screw. Our mounting brackets are designed with horizontal and vertical adjustability to insure a proper level fit.

## WOOD BLOCKING IS THE PREFERRED METHOD OF INSTALLATION



Limited Warranty:

Preferred Bath Accessories Inc. warrants to the purchaser that the product will be free from defects in material and workmanship. If the product does not comply with this warranty, Preferred Bath Accessories Inc. will repair or replace the product or, at Preferred Bath Accessories Inc's. option, refund the purchase price. The limited warranty period is for the lifetime of the product. Limitations on the Warranty: The warranty does not cover, normal wear and tear, product abuse, neglect, improper installation or maintenance. Purchaser Requirements: If this product does not meet Preferred Bath Accessories Inc's. warranty, return the product (postage prepaid) to the place of purchase with proof of purchase and a written claim briefly describing the defect. You may be required to provide other information or evidence of the defect.