

4000 CONNOR COLLECTION TOWEL BARS

Bold Unique Smooth

sales@preferredbathinc.com

www.preferredbathinc.com

(336) 904-6248



304 STAINLESS STEEL

- 304 Stainless Steel Bar
- Superior And Strong Mounting System
- Four Screws Used To Prevent Rotation (No Messy Adhesive)

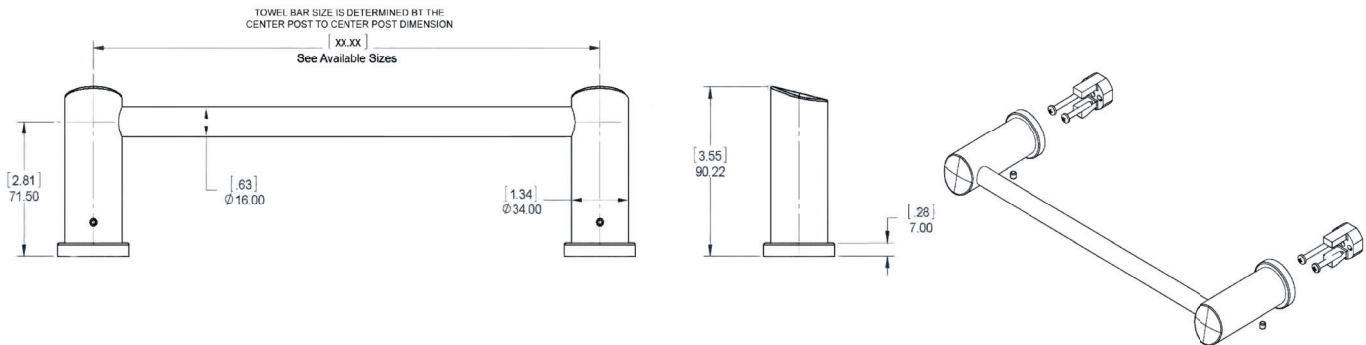
PART NUMBERS	FINISH
4012-PC	Polished Chrome
4018-PC	Polished Chrome
4024-PC	Polished Chrome

HARDWARE INCLUDED

- Stainless Steel Towel Bar - 1
- Wall Mounting Brackets - 2
- Posts - 2
- All Stainless Steel Mounting Hardware and Wall Anchors Included

WALL MOUNTED VERSIONS

- Towel Bar Size Is Determined By The Center Post To Center Post Dimension



INSTALLATION:

Attach mounting bracket to wall with mounting screws. Slide flange and post over bracket and tighten set screw. Our mounting brackets are designed with horizontal and vertical adjustability to insure a proper level fit.



Limited Warranty:

Preferred Bath Accessories Inc. warrants to the purchaser that the product will be free from defects in material and workmanship. If the product does not comply with this warranty, Preferred Bath Accessories Inc. will repair or replace the product or, at Preferred Bath Accessories Inc's. option, refund the purchase price. The limited warranty period is for the lifetime of the product. Limitations on the Warranty: The warranty does not cover, normal wear and tear, product abuse, neglect, improper installation or maintenance. Purchaser Requirements: If this product does not meet Preferred Bath Accessories Inc's. warranty, return the product (postage prepaid) to the place of purchase with proof of purchase and a written claim briefly describing the defect. You may be required to provide other information or evidence of the defect.